

FORMAX[®]

ColorMaxT5 / ColorMaxT6
Digital Color Printer

Contents

- Setting the Spot Color kit 3**
- Control Panel Explanation..... 6**
 - Standby Screen 6
 - Menu table of Spot Color toner 7
- Checking the printer drivers 11**
- Printer driver functions table..... 13**
 - With white toner mounted..... 13
 - With clear toner mounted 17
- Printing on color paper 21**
 - Color papers that can be used 21
 - Printing using white toner only 21
 - Printing white under color 24
 - Adjusting the print position for spot color overprint..... 29
- Printing on transparent film..... 35**
 - Transparent films that can be used..... 35
 - Setting transparent film in the device..... 35
 - Preparing output destination of transparent films 38
 - Mirror reverse printing 38
- Printing by using applications to specify Spot Color toner
(PS printer drivers only) 43**
 - Using Illustrator 43
 - Using Photoshop..... 44
- Fine-tuning the white gradation 46**
- Replacing Spot Color kits 47**

● Setting the Spot Color kit

This section explains how to set the Spot Color kit.

Memo

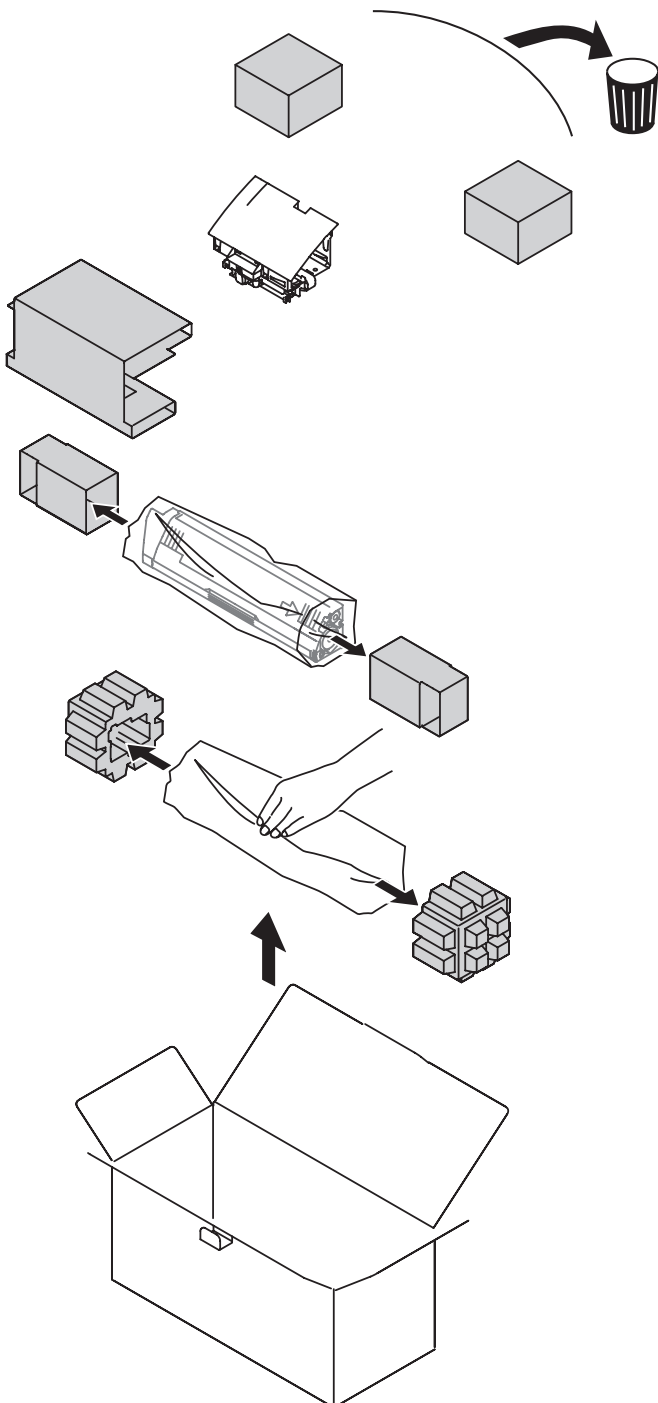
- For these steps are not required.

First "mount the consumables" as described in "Basic" before setting the Spot Color kit.

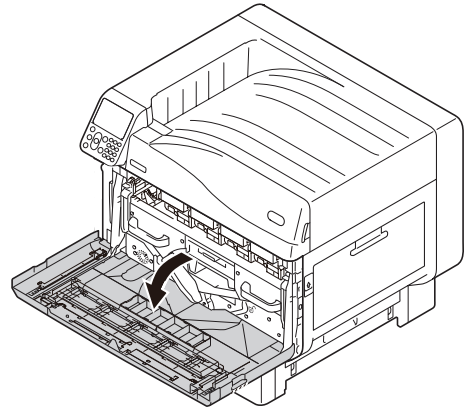
- 1 Open the package, and remove the duct, toner, and image drum.

! Note

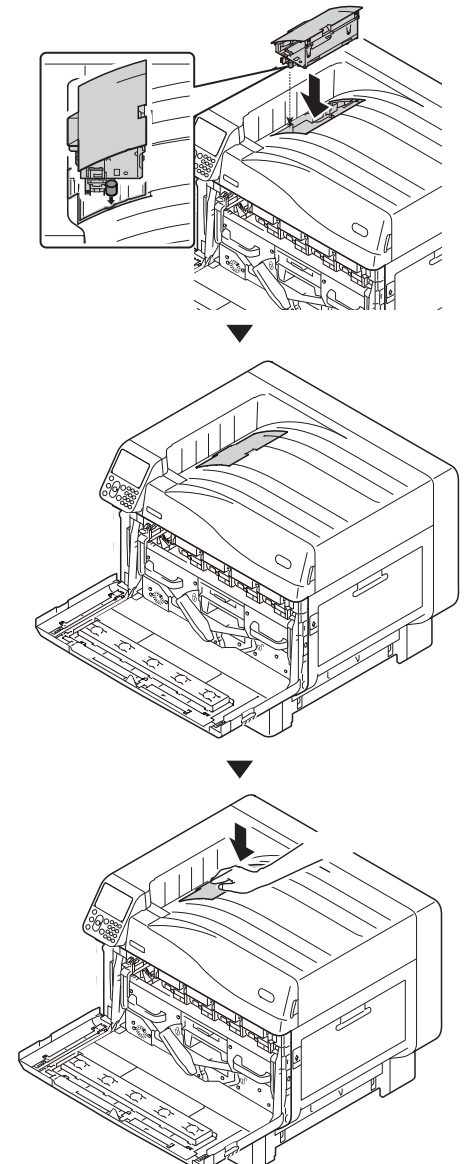
- Do not remove the toner or image drum from their packages.



- 2 Open the front cover.



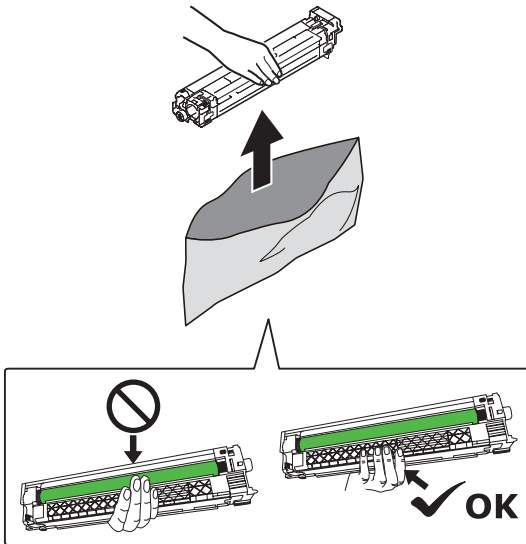
- 3 Mount the duct to the printer.



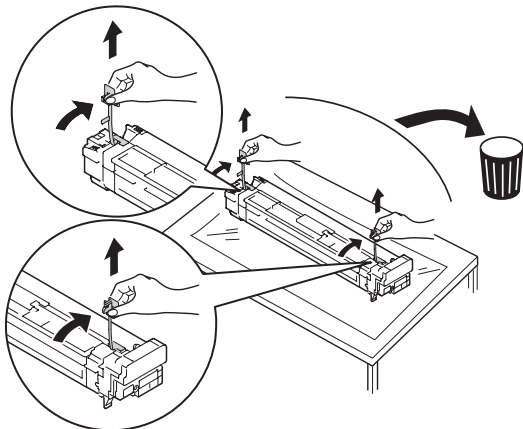
4 Remove the image drum from its packaging.

! Note

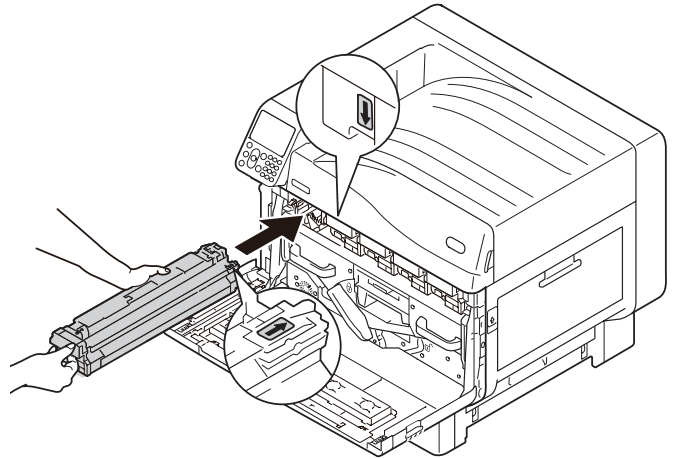
- Do not expose the image drum to direct sunlight or strong light (About 1,500 lux or above). Do not leave it for more than 5 minutes even under room lighting.
- Be careful not to touch or scratch the image drum (green cylinder).



5 Remove the stopper (orange).

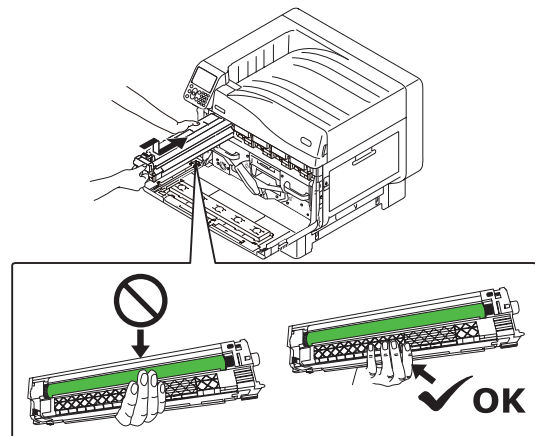


6 Align the (red) arrows on the image drum and printer, and insert gently into the slot while taking care not to touch the (green) light sensor on the underside with your hands, and then push in firmly as far as it will go.

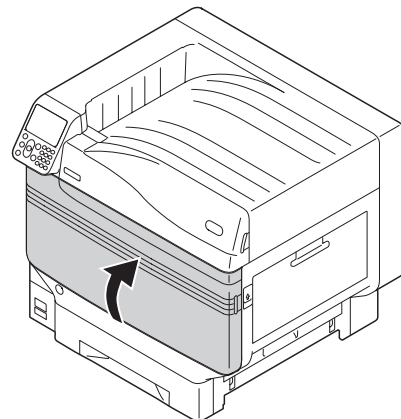


! Note

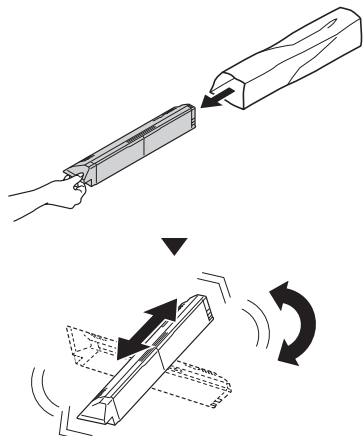
- Be careful not to touch or scratch the image drum (green cylinder).



7 Close the front cover.



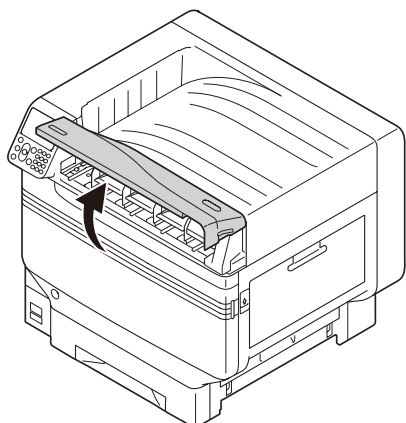
- 8** Remove the toner cartridge from its packaging, and shake it vertically and horizontally.



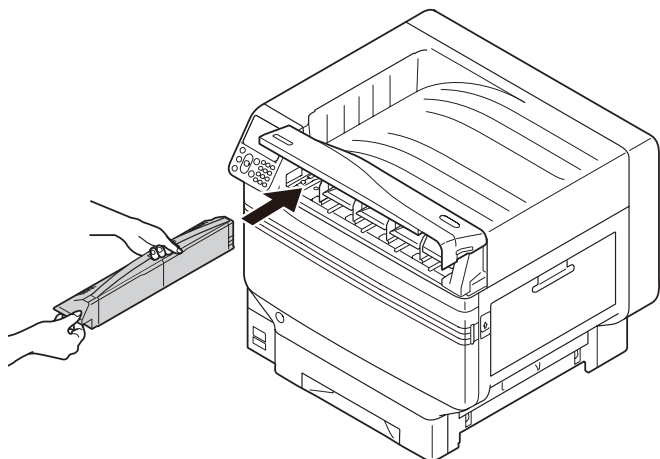
! Note

- Do not drop the toner cartridge or tap it on the floor. Doing so may damage the cartridge.

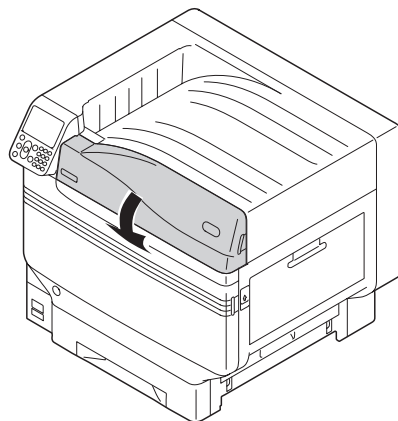
- 9** Open the toner replacement cover.



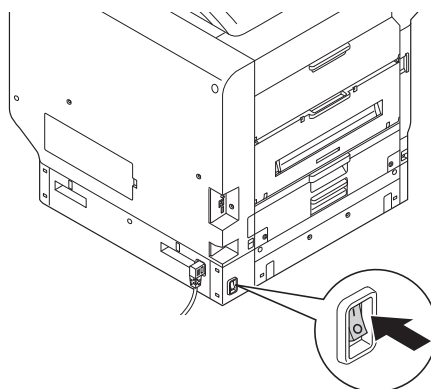
- 10** Check the position of the slot, and firmly push the toner cartridge in as far as it will go.



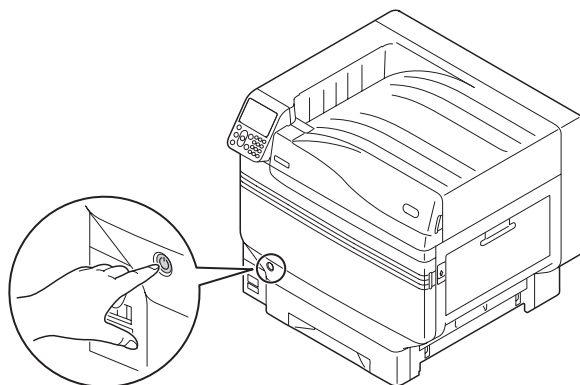
- 11** Close the toner replacement cover.



- 12** Turn ON (I) the main power switch.



- 13** Press and hold the power switch for approx. 1s.



Memo

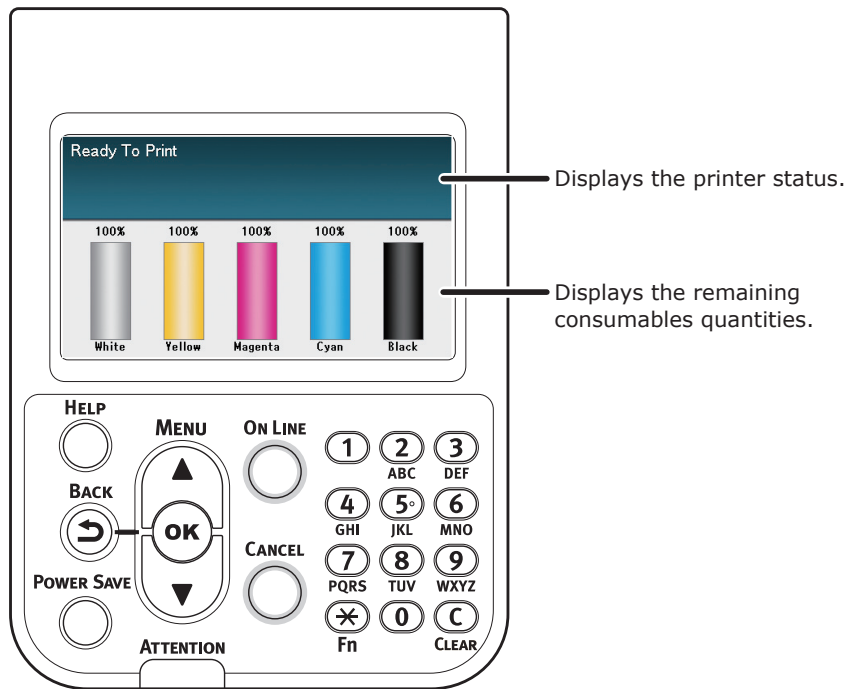
- When "Spot Color has been replaced/Press OK to change the Spot Color settings in the menu to Clear and restart the system/If you do not want to change settings, return Spot Color toner, image drum and Spot Color duct settings to white" is displayed, press the [OK] button.
- When the Spot Color kit has been set, return to the "Basic", and implement the tasks described from "Setting the Paper" onwards.

● Control Panel Explanation

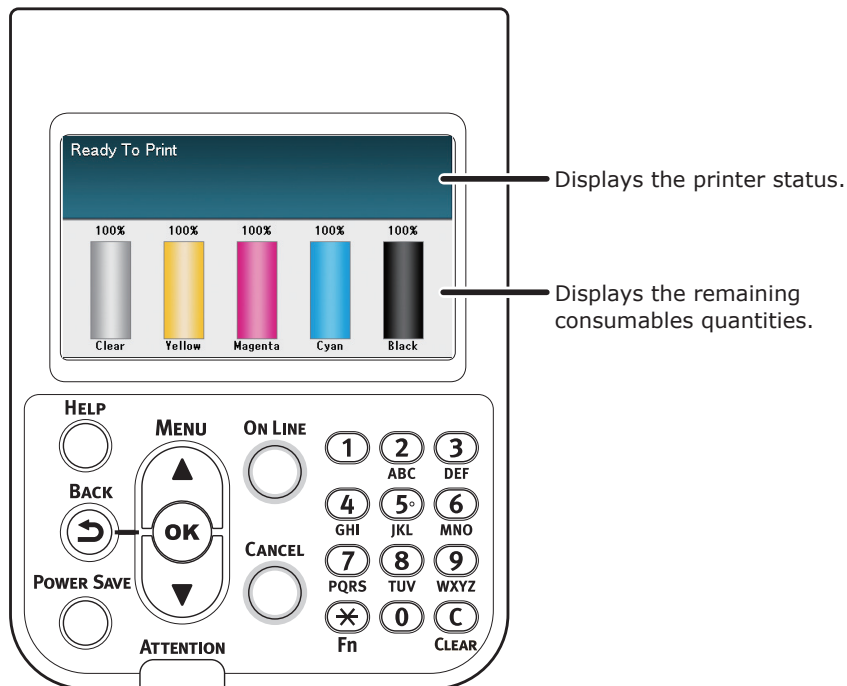
This section explains the control panel.

Standby Screen

With white toner mounted



With clear toner mounted



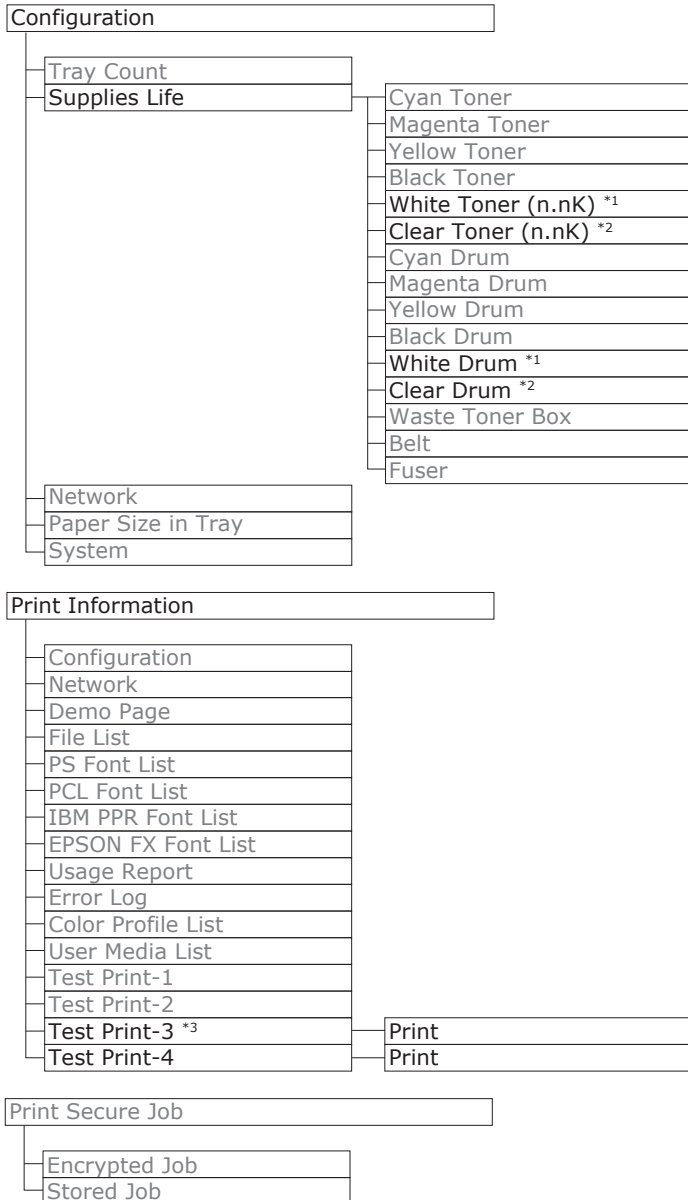
Menu table of Spot Color toner

The printer menus for clear toner and white toner are as described below.

Numbers following the letter F in the menu items indicate the function number.



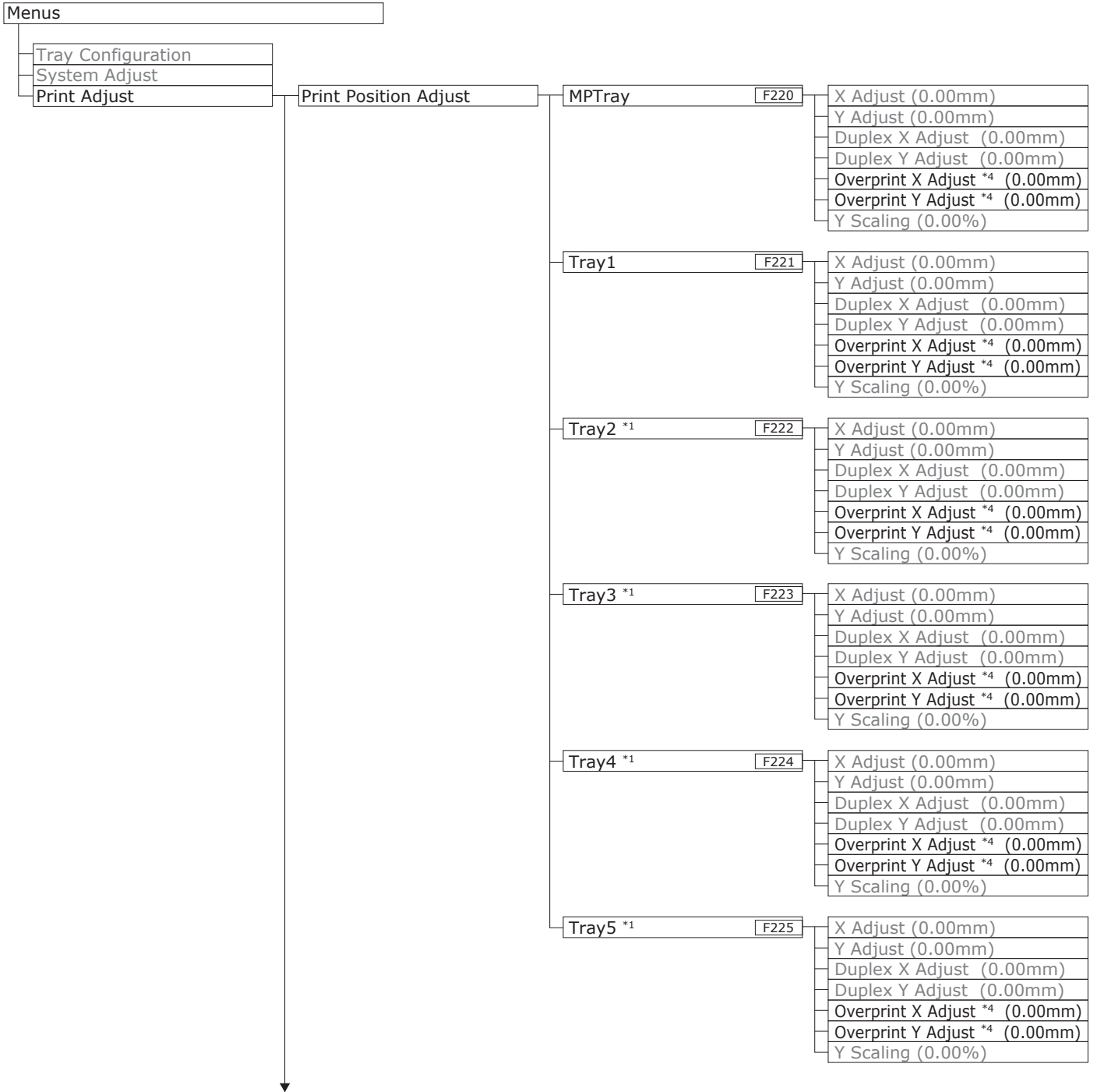
- For details of menus other than the Spot Color toner, see the "Basic".

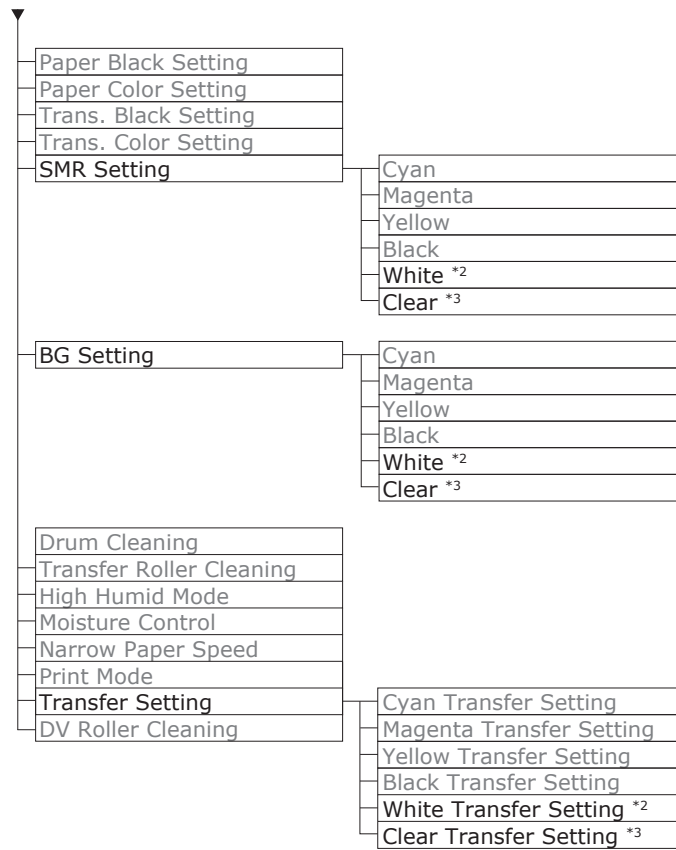


*1: Displayed when you have installed the white toner cartridge and image drum.

*2: Displayed when you have installed the clear toner cartridge and image drum.

*3: Displayed when you have installed the white toner cartridge and image drum

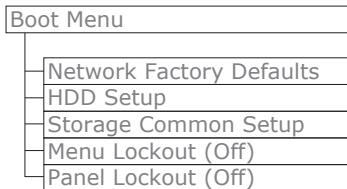
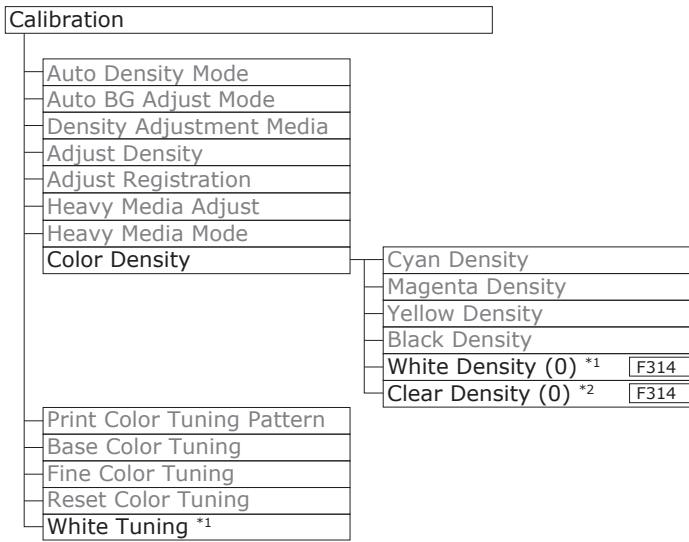
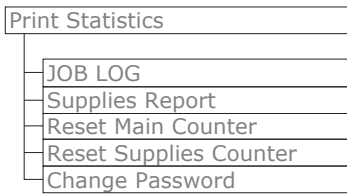
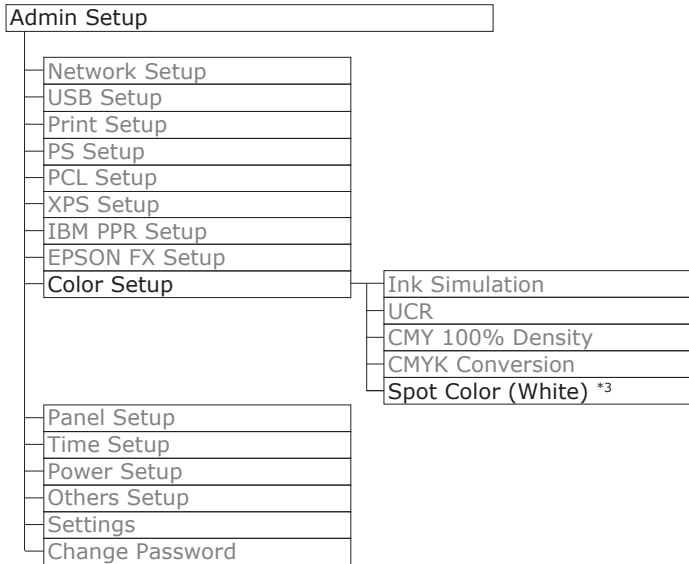




*1: Displayed when trays 2 to 5 are mounted.

*2: Displayed when you have installed the white toner cartridge and image drum.

*3: Displayed when you have installed the clear toner cartridge and image drum



*1: Displayed when you have installed the white toner cartridge and image drum.

*2: Displayed when you have installed the clear toner cartridge and image drum

● Checking the printer drivers

When installation of printer drivers is complete, check that the Spot Color toner that has been mounted is selected in [Spot Color Toner] in the [Device Settings] tab or [Device Options] tab.



- For the printer driver installation method, see "Connecting to the PC" in "Basic".

■ Using Windows PS printer drivers

The color of the Spot Color toner that has been mounted is displayed in [Spot Color Toner] in the [Device Settings] tab.

If the mounted color is not set, select the relevant Spot Color Toner color.

■ Using Windows PCL printer drivers

The color of the Spot Color toner that has been mounted is displayed in [Spot color toner] in the [Device Options] tab.

If the mounted color is not set, select the relevant Spot color toner color.

■ Using Windows XPS printer drivers

The color of the Spot Color toner that has been mounted is displayed in [Spot color toner] in the [Device Options] tab.

If the mounted color is not set, select the relevant Spot color toner color.

■ Using Mac OS X PS printer drivers

The color of the Spot Color toner that has been mounted is displayed in [Spot Color Toner] in the [Driver] panel.

If the mounted color is not set, select the relevant Spot Color Toner color.

● Printer driver functions table

This section explains the Spot Color toner functions in the printer drivers.

Select the Spot Color toner in the [Device Settings] tab or [Device Options] tabs of the printer drivers. The following screen will be displayed.

! Note

- Plain, recycled, and glossy under GSM 52 to 64g/m² (ream weight under 45 to 55kg) are incompatible with Spot Color printing using white toner or clear toner.

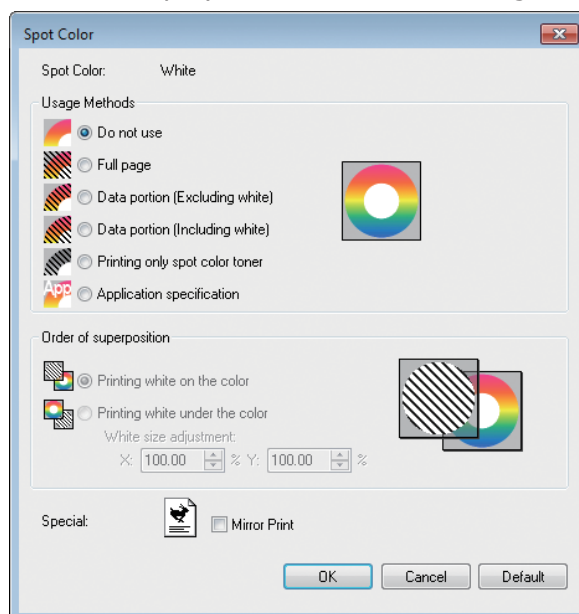
Memo

- If using the Fiery XF Server Option, see the manual enclosed with Fiery XF Server Option.

With white toner mounted

■ Using Windows PS printer drivers

Click [Spot Color] in the [Color] tab to display the window for setting the Spot Color toner.



Item		Explanation
Usage Methods	Do not use	Print without using white toner.
	Full page	Using white toner on whole printed pages.
	Data portion (Excluding white)	Using white toner in the data portions excluding the white portions.
	Data portion (Including white)	Using white toner in the data portions including the white portions.
	Printing only spot color toner	Printing using white toner only.
	Application specification	Applications can be used to specify white toner. This function is for PS printer drivers only.
Order of superposition	Printing white on the color	Printing by overlaying white toner on cyan, magenta, yellow, and black toner.
	Printing white under the color	Printing by overlaying white toner under cyan, magenta, yellow, and black toner.
	White size adjustment *	Finely adjust the print size in white when printing in "Printing white under the color". Enter the degree of shrinkage of white for other colors.
Special	Mirror Print	Printing by reversing the horizontal orientation.

*: This is a function added to Windows PS printer driver version 1.0.3 or later. This is available when combined with firmware version A01.07_0_4 or later. See "[Adjusting the print position for spot color overprint](#)" (P.29) for details.

■ Using Windows PCL printer drivers

Click the [Spot Color] tab to display the window for setting the Spot color toner.

Item		Explanation
Usage methods	Do not use	Print without using white toner.
	Full page	Using white toner on whole printed pages.
	Data portion (Excluding white)	Using white toner in the data portions excluding the white portions.
	Data portion (Including white)	Using white toner in the data portions including the white portions.
	Printing only spot color toner	Printing using white toner only.
	Watermarks/Overlays	Print the selected Watermarks/Overlays with white toner.
Order of superposition	Printing white on the color	Printing by overlaying white toner on cyan, magenta, yellow, and black toner.
	Printing white under the color	Printing by overlaying white toner under cyan, magenta, yellow, and black toner.
	White size adjustment *	Finely adjust the print size in white when printing in "Printing white under the color". Enter the degree of shrinkage of white for other colors.
Speciality	Mirror Print	Printing by reversing the horizontal orientation.

*: This is a function added to Windows PCL printer driver version 1.0.3 or later.
This is available when combined with firmware version A01.07_0_4 or later.
See "[Adjusting the print position for spot color overprint](#)" (P.29) for details.

■ Using Windows XPS printer drivers

Click [Spot Color] in the [Color] tab to display the window for setting the Spot color toner.

Item		Explanation
Usage Methods	Do not use	Print without using white toner.
	Full page	Using white toner on whole printed pages.
	Data portion (Excluding white)	Using white toner in the data portions excluding the white portions.
	Data portion (Including white)	Using white toner in the data portions including the white portions.
	Printing only spot color toner	Printing using white toner only.
Order of superposition	Printing white on the color	Printing by overlaying white toner on cyan, magenta, yellow, and black toner.
	Printing white under the color	Printing by overlaying white toner under cyan, magenta, yellow, and black toner.
	White size adjustment *	Finely adjust the print size in white when printing in "Printing white under the color". Enter the degree of shrinkage of white for other colors.
Speciality	Mirror Print	Printing by reversing the horizontal orientation.

*: This is a function added to Windows XPS printer driver version 1.0.3 or later.
This is available when combined with firmware version A01.07_0_4 or later.
See "[Adjusting the print position for spot color overprint](#)" (P.29) for details.

■ Using Mac OS X PS printer drivers

Select the [Spot Color] panel to display the window for setting the Spot Color toner.

Item		Explanation
Usage methods	Do not use	Print without using white toner.
	Full page	Using white toner on whole printed pages.
	Data portion (Excluding white)	Using white toner in the data portions excluding the white portions.
	Data portion (Including white)	Using white toner in the data portions including the white portions.
	Printing only spot color toner	Printing using white toner only.
	Application specification	Applications can be used to specify white toner. This function is for PS printer drivers only.
Order of superposition	Printing white on the color	Printing by overlaying white toner on cyan, magenta, yellow, and black toner.
	Printing white under the color	Printing by overlaying white toner under cyan, magenta, yellow, and black toner.
	White size adjustment *	Finely adjust the print size in white when printing in "Printing white under the color". Enter the degree of shrinkage of white for other colors.
Flip horizontally		Printing by reversing the horizontal orientation.

*: This is a function added to Mac OS X PS printer driver version 1.0.3 or later.
This is available when combined with firmware version A01.07_0_4 or later.
See "[Adjusting the print position for spot color overprint](#)" (P.29) for details.

■ Using Windows PCL printer drivers

Click the [Spot Color] tab to display the window for setting the Spot Color toner.

Item		Explanation
Usage methods	Do not use	Print without using clear toner.
	Full page	Using clear toner on whole printed pages.
	Data portion (Excluding white)	Using clear toner in the data portions excluding the white portions.
	Data portion (Including white)	Using clear toner in the data portions including the white portions.
	Printing only spot color toner	Printing using the clear toner only.
	Watermarks/Overlays	Print the selected Watermarks/Overlays with clear toner.
Speciality	Mirror Print	Printing by reversing the horizontal orientation.

■ Using Windows XPS printer drivers

Click [Spot Color] in the [Color] tab to display the window for setting the Spot color toner.

	Item	Explanation
Usage methods	Do not use	Print without using clear toner.
	Full page	Using clear toner on whole printed pages.
	Data portion (Excluding white)	Using clear toner in the data portions excluding the white portions.
	Data portion (Including white)	Using clear toner in the data portions including the white portions.
	Printing only spot color toner	Printing using the clear toner only.
Speciality	Mirror Print	Printing by reversing the horizontal orientation.

■ Using Mac OS X PS printer drivers

Click the [Spot Color] panel to display the window for setting the Spot Color toner.

Item		Explanation
Usage methods	Do not use	Print without using clear toner.
	Full page	Using clear toner on whole printed pages.
	Data portion (Excluding white)	Using clear toner in the data portions excluding the white portions.
	Data portion (Including white)	Using clear toner in the data portions including the white portions.
	Prints only spot color toner	Printing using the clear toner only.
	Application specification	Applications can be used to specify clear toner. This function is for PS printer drivers only.
Mirror Print		Printing by reversing the horizontal orientation.

● Printing on color paper

Color papers that can be used

Use color paper that satisfies the following conditions.

- Pigments used to color the paper or ink that is heat-resistant at 230°C.
- E-photo printer paper with the same paper characteristics as plain paper

Printing using white toner only

Printing text and illustrations using only white toner on color paper.

Before printing, check that white toner has been mounted to the device, and that white toner has been selected using the printer drivers.

! Note

- Plain, recycled, and glossy under GSM 52 to 64g/m² (ream weight under 45 to 55kg) are incompatible with Spot Color.

✍ Memo

- For how to check the Spot Color toner selected using the printer drivers, see "[Checking the printer drivers](#)" (P.11).
- Even if the cyan (blue), magenta (red), yellow toner cartridge life has been reached, spot color printing can be done by specifying "Print only with spot color". (You cannot print if the black toner cartridge life is reached.)

■ Using Windows PS printer drivers

- 1 Open the file to be printed.
- 2 Click [Page Setup] in the [File] menu.
- 3 Select the paper size and print orientation, and click [OK].
- 4 Select [Print] in the [File] menu.
- 5 Click [Advanced] (or [Properties]).
- 6 Use [Paper Source] in the [Paper/Quality] tab to select the tray to be used.
- 7 Use [Media] to select the paper type to be used, and click [Advanced].
- 8 Select suitable values from [Media Weight] using the [Advanced Options] screen, and click [OK].

9 Click [Spot Color] in the [Color] tab.

10 Select [Printing only spot color toner] in [Usage Methods], and click [OK].

11 Click [OK] to return to the [Print] screen.

12 Click [Print] in the [Print] screen to print.

■ Using Windows PCL printer drivers

1 Open the file to be printed.

2 Click [Page Setup] in the [File] menu.

3 Select the paper size and print orientation, and click [OK].

4 Select [Print] in the [File] menu.

5 Click [Advanced] (or [Properties]).

6 Use [Paper Source] in the [Setup] tab to select the tray to be used.

7 Use [Media Type] to select the paper type to be used.

8 Select suitable values using [Media Weight].

9 Click the [Spot Color] tab.

10 Select [Prints only spot color toner] in [Usage methods], and click [OK].

11 Click [Print] in the [Print] screen to print.

■ Using Windows XPS printer drivers

- 1 Open the file to be printed.
- 2 Click [Page Setup] in the [File] menu.
- 3 Select the paper size and print orientation, and click [OK].
- 4 Select [Print] in the [File] menu.
- 5 Click [Advanced] (or [Properties]).
- 6 Use [Paper Source] in the [Setup] tab to select the tray to be used.
- 7 Use [Media Type] to select the paper type to be used.
- 8 Select suitable values using [Media Weight].
- 9 Click [Auto Color] in the [Color] tab.
- 10 Select [Printing only spot color toner] in [Usage Methods], and click [OK].
- 11 Click [OK] to return to the [Print] screen.
- 12 Click [Print] in the [Print] screen to print.

■ Using Mac OS X Printer Drivers

- 1 Open the file to be printed.
- 2 Click [Page Setup] in the [File] menu.
- 3 Select the paper size and print orientation using the page setup dialog box, and click [OK].
- 4 Select [Print] in the [File] menu.
- 5 Use the [Source] panel to select the tray to be used.
- 6 Click the [Feed] tab in the [Print Options] panel, and select suitable values using [Media Type] and [Media Weight].
- 7 Select [Prints only spot color toner] in [Usage Methods] in the [Spot Color] panel.
- 8 Click [Print] to print.

Printing white under color

If printing on color paper in you can print the base using white toner, and then overprint using colors (CMYK). In, white toner is always printed under the colors (CMYK).

! Note

- This function cannot be used with envelopes or postcards (except for Japanese Double Postcards and 4-Ren Hagaki).
- This function cannot be used with GSM under 52 to 64g/m² (ream weight under 45 to 55kg), or paper with GSM 321 to 360g/m² (ream weight 256 to 309kg).
- Custom size is compatible with papers with widths from 99.0 to 330.0mm, and lengths from 180 to 457mm.
- Clear toner is not compatible with this function.

■ Using Windows PS printer drivers

- 1 Open the file to be printed.
- 2 Click [Page Setup] in the [File] menu.
- 3 Select the paper size and print orientation, and click [OK].
- 4 Select [Print] in the [File] menu.
- 5 Click [Advanced] (or [Properties]).
- 6 Use [Paper Source] in the [Paper/Quality] tab to select the tray to be used.
- 7 Use [Media] to select the paper type to be used, and click [Advanced].
- 8 Select suitable values from [Media Weight] using the [Advanced Options] screen, and click [OK].

9 Click [Spot Color] in the [Color] tab.

10 Select [Data portion (Including white)] in [Usage Methods].

11 Select [Printing white under the color] in [Order of superposition], and click [OK].

12 Click [OK] to return to the [Print] screen.
13 Click [Print] in the [Print] screen to print.

■ Using Windows PCL printer drivers

- 1** Open the file to be printed.
- 2** Click [Page Setup] in the [File] menu.
- 3** Select the paper size and print orientation, and click [OK].
- 4** Select [Print] in the [File] menu.
- 5** Click [Advanced] (or [Properties]).
- 6** Use [Paper Source] in the [Setup] tab to select the tray to be used.
- 7** Use [Media Type] to select the paper type to be used.
- 8** Select suitable values using [Media Weight].
- 9** Click the [Spot Color] tab.

10 Select [Data portion (Including white)] in [Usage methods].

11 Select [Printing white under the color] in [Order of superposition], and click [OK].

12 Click [Print] in the [Print] screen to print.

■ Using Windows XPS printer drivers

- 1** Open the file to be printed.
- 2** Click [Page Setup] in the [File] menu.
- 3** Select the paper size and print orientation, and click [OK].
- 4** Select [Print] in the [File] menu.
- 5** Click [Advanced] (or [Properties]).
- 6** Use [Paper Source] in the [Setup] tab to select the tray to be used.
- 7** Use [Media Type] to select the paper type to be used.
- 8** Select suitable values using [Media Weight].
- 9** Click [Spot Color] in the [Color] tab.

10 Select [Data portion (Including white)] in [Usage Methods].

11 Select [Printing white under the color] in [Order of superposition], and click [OK].

12 Click [OK] to return to the [Print] screen.

13 Click [Print] in the [Print] screen to print.

■ Using Mac OS X Printer Drivers

- 1** Open the file to be printed.
- 2** Click [Page Setup] in the [File] menu.
- 3** Select the paper size and print orientation using the page setup dialog box, and click [OK].
- 4** Select [Print] in the [File] menu.
- 5** Use the [Source] panel to select the tray to be used.
- 6** Click the [Feed] tab in the [Print Options] panel, and select suitable values using [Media Type] and [Media Weight].
- 7** Select [Data portion (Including white)] in [Usage Methods] in the [Spot Color] panel.

8 Select [Printing white under the color] in [Order of superposition] in the [Spot Color] panel.

9 Click [Print] to print.

Adjusting the print position for spot color overprint

When printing white under the color in, misalignment or shrinkage may occur depending on the paper in use. In this case, adjust the registration and image size by following the procedure below. In, white toner is always printed under the color toner (CMYK) without spot color overprint.

! Note

- The adjustment of image size can be done when printer driver version 1.0.3 or later and firmware version A01.07_0_4 or later is combined.
- You can check the version of Windows PS/PCL/XPS printer driver by clicking the [Version Information] button in the setting screen.
- You can check the version of Mac OS X PS printer driver by opening [System Preferences] > [Print and Scan] > [Option and Supply] from the Apple menu and going to the [General] tab > [Driver Version].
- You can check the version of the firmware by selecting [Printer Information] > [System Information] > [Firmware Version] from the control panel menu.

Reference

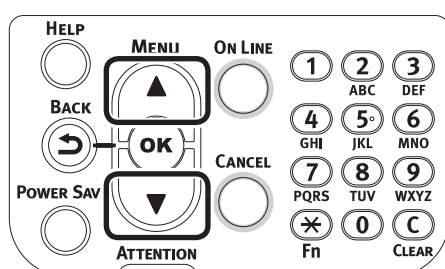
- To locate the button of [Version Information] on the printer driver setup screen, refer to the "List of Printer Driver Features" in the User's Manual "Advanced".

■ Adjusting Registration and Image Size

! Note

- Misalignment or shrinkage of image size differs depending on the paper and paper tray. Please use the paper and paper tray that you will use in actual printing for test print.

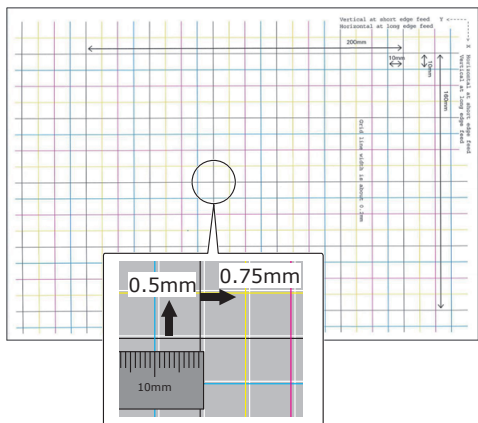
- 1 Set the paper in the paper tray.
- 2 Set the paper tray you are using in [Paper Feed Tray] from the control panel.
 - (1) Press the [Fn] key, [8], [0], and press the [OK] button.
 - (2) Select the paper tray you want to use, and press the [OK] button.
- 3 Set the paper weight, paper size, and paper type of the paper you want to use using the control panel.
- 4 Press the scroll button ▲ or ▼.



- 5 Select [Print Information], and press the [OK] button.

- 6 Select [Test Print-3], and press the [OK] button.

7 In the test result, compare the degree of misalignment between the black and white lines in the center.



↑
Paper operation direction

Memo

- If the black line is hard to read, use a color easy to read to adjust the white line misalignment.

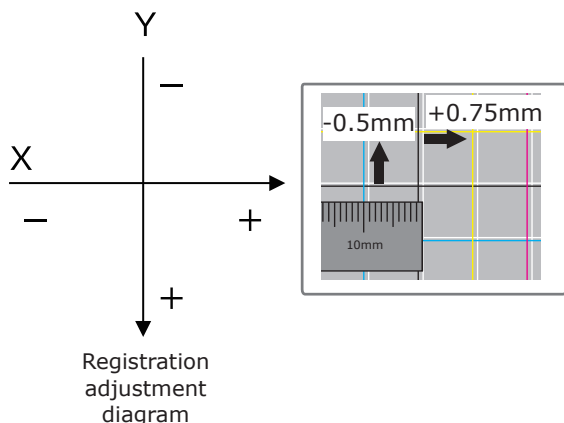
8 Adjust the registration of black lines to the white lines.

The following figure illustrates a case where deviation occurs.

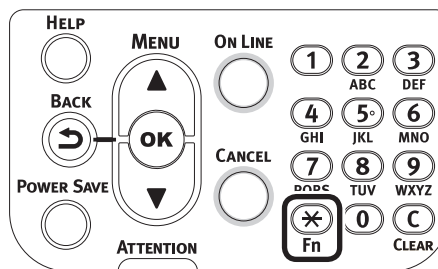
(1) Check that 0.75 mm is adjusted in the direction of X (+) and 0.05 mm in Y (-) based on the following direction adjustment figure.

Memo

- For this example, adjustment of +0.75mm for X direction and -0.5mm for Y direction are necessary.

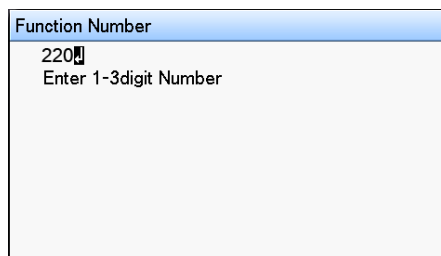


(2) Press the [Fn] key.
The numerical values input screen will be displayed.

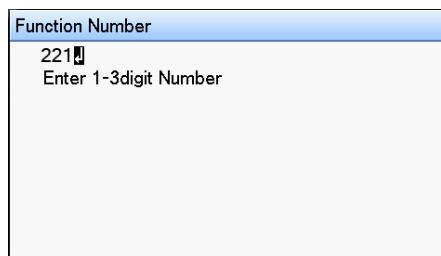


(3) Enter the function number of the paper feed tray to be set.

- For the multi-purpose tray
Press the function number [2], [2], [0], and press the [OK] button.



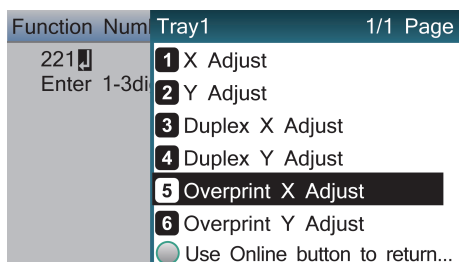
- For Tray1
Press the function number [2], [2], [1], and press the [OK] button.



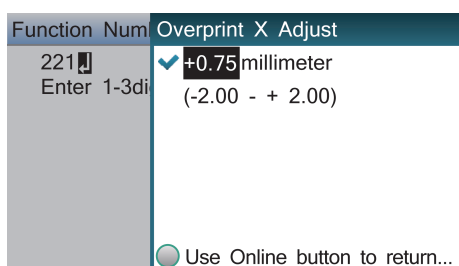
Memo

- The function numbers for trays 2 to 5 are described below.
 - For Tray 2
Press the [Fn] key, [2], [2], [2], and [OK].
 - For Tray 3
Press the [Fn] key, [2], [2], [3], and [OK].
 - For Tray 4
Press the [Fn] key, [2], [2], [4], and [OK].
 - For Tray 5
Press the [Fn] key, [2], [2], [5], and [OK].

- (4) Select [Overprint X Adjust], and press the [OK] button.



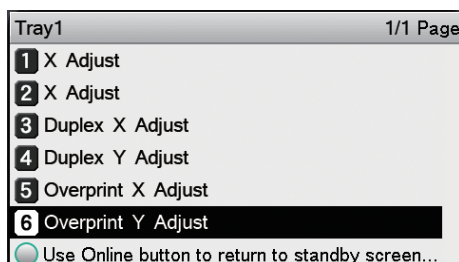
- (5) Set the X direction adjustment value verified in step 8-(1) by pressing the scroll button ▲ or ▼, and then press the [OK] button.



Memo

- The adjustment range is from -2.00 mm to +2.00 mm in the step of 0.25 mm.

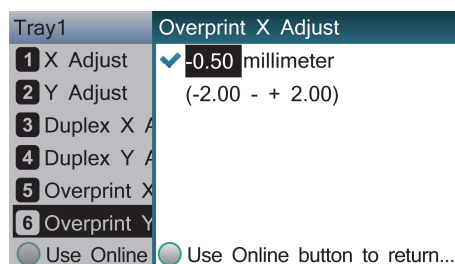
- (6) Press the [BACK] button.
 (7) Press the scroll button ▲ or ▼, select [Overprint Y Adjust], and press the [OK] button.



Memo

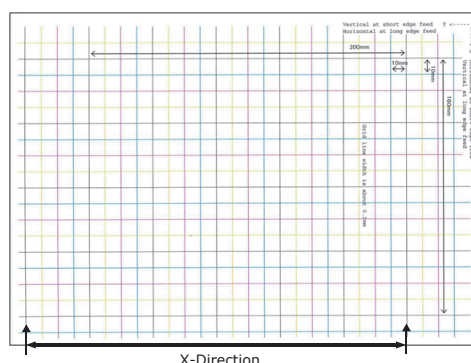
- The adjustment range is from -2.00 mm to +2.00 mm in the step of 0.25 mm.

- (8) Set the Y direction adjustment value verified in step 8-(1) by pressing the scroll button ▲ or ▼, and then press the [OK] button.

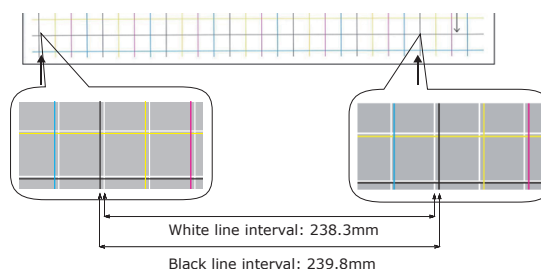


- (9) Press the [ONLINE] button.
 9 Check the degree of shrinkage of white image size of color image from the print result of Step 6 (Test Print 3).

- (1) Select both outermost black lines from among the lines along the direction of the paper.



- (2) Measure the black line interval and the corresponding white line interval, and work out the shrinking percentage of X-direction by using the following formula.
 "White line interval ÷ Black line interval"



$$238.3 \div 239.8 = 99.37\%$$

Shrinking percentage of X-direction

- (3) Select the two black lines separated as much as possible from among the lines intersecting the direction of the paper.

- (4) Measure the black line interval and the corresponding white line interval, and work out the shrinking percentage of Y-direction.

$$159.2 \div 160.0 = 99.50\%$$

Shrinking percentage of Y-direction

Memo

- If the black line is hard to read, use the white line that corresponds to the line of color easy to read (the two lines must be of the same color).

10 Open the file to be printed.

11 Select [Print] in the [File] menu.

12 Click [Advanced] (or [Preferences]).

13 Specify the shrinking percentage of X-direction as adjusted value of X, shrinking percentage of Y-direction as adjusted value of Y (Calculated in Step 9) in [White size adjustment] of [Order of superposition] in the Spot Color toner setting screen of the printer driver.

Memo

- The adjustment range is from 99.00% to 100.00% in the step of 0.01%.
- [White Size Adjustment] can only be specified when [Print White Under The Color] is enabled.
- Windows PS printer driver screen is used as an example.

Reference

- To display the Spot Color toner setting screen for each printer driver, refer to the "Printer driver functions table" (P.13).

14 Print out the opened file, and check the print result.

15 If misalignment of registration is not resolved, readjust following Step 8 based on the print result of Step 14.

Memo

- If the misalignment is not resolved after performing the adjustment several times, use the setting value with the fewest misalignment.

■ Adjusting the White Image from Application

By adjusting the file from the application, the registration misalignment may not be noticeable. If the misalignment is not fixed after adjusting the position and size, adjust the white image with the application. Adobe Illustrator will be used as an example for the adjustment method.

- 1 Open the data with white misalignment.
- 2 Create a new layer. Name the layer "SpotColor", and create this at the top.

- 3 Open the swatch window, and click the "New Swatch" button. Enter [SpotColor_White] as its name, and select [Spot Color] for the color type.

! Note

- Please enter the name as given above. White toner will not be recognized if you make a mistake in the entries.

- 4 Copy the object to be filled with spot color white to the "SpotColor" layer.
- 5 Select the copied object, and set the fill to "SpotColor_White:100%" and the border to "SpotColor_White:0%".
For outlines, select "Object" > "Path" > "Path Outline", and set the fill and border after it been changed to Object.
- 6 Open the attribute window, and select [Overprint Fill] and [Overprint Stroke].

- 7 Select [File] > [Print].
- 8 Go to [Printer], and select.
- 9 Go to [Advanced] > [Overprints], and select [Simulate].
- 10 Click [Setup].

11 Click [Preferences].

12 Go to the [Color] tab, and click [Spot Color].

13 Go to [Usage Methods] and select [Application specification], and select [Printing white under the color] for the order of superposition.

14 Click [OK] to print.

● Printing on transparent film

Before printing, check that white toner has been mounted to the device, and that white toner has been selected using the printer drivers.



- For how to check the Spot Color toner selected using the printer drivers, see "[Checking the printer drivers](#)" (P.11).

Transparent films that can be used

- Transparent film used in e-photo printers or dry PPC.
- Film that is heat-resistant to 230°C.
- Paper of width 210mm min.
- Thoroughly test the print quality and paper traction beforehand, and check that there are no impediments before use.
- If you set the media type to and print on paper other than excellent transparent films, thoroughly test the print quality and paper traction beforehand, and check that there are no impediments before use.



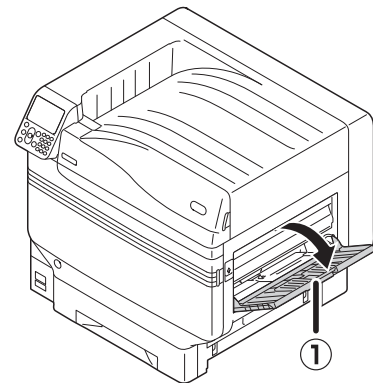
- Do not use shrink film for soft packaging printing.
- Light film may have poor absorption, multiple feeding, and paper jams.

Setting transparent film in the device

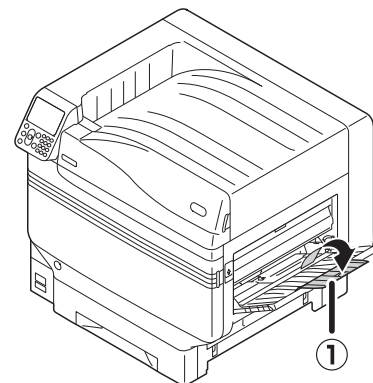


- Excellent clear film cannot be set in Tray 1 or an additionally provided tray (Option).

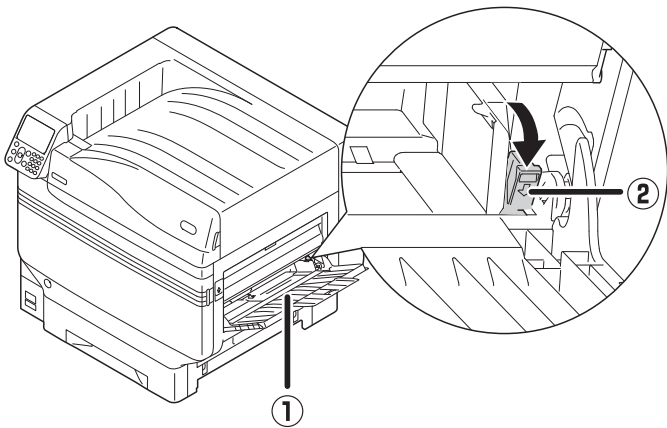
- 1 Open the multi-purpose tray (①) towards you.



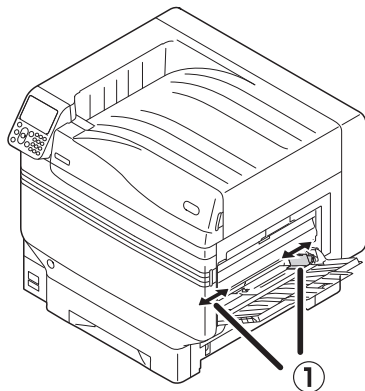
- 2 Open the auxiliary supporter (①).



- 3** Pull the setting lever (②) on the right side of the paper supporter (①) towards you.



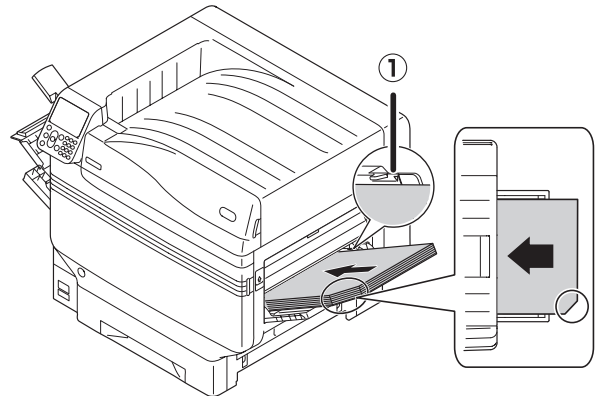
- 4** Adjust the paper guide (①) to the width of the paper that has been set.



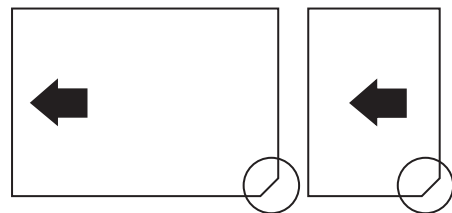
- 5** Set the paper so the indentation mark of the transparent film is positioned as shown in the diagram.

! Note

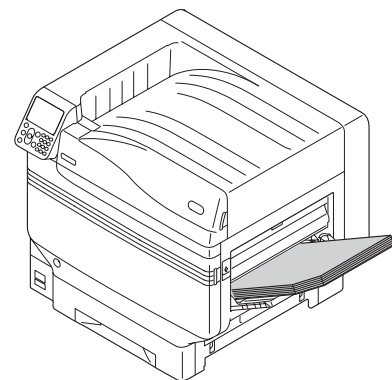
- Do not set the paper beyond the paper guide (①).



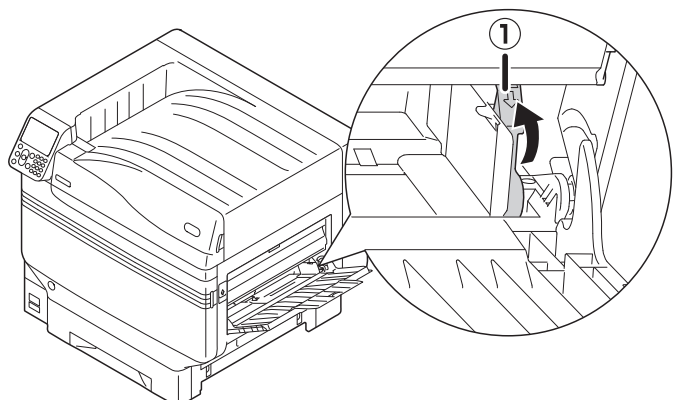
When using TRANSPARENCY FILM



- 6** Adjust the paper guide to fit the width of transparent film that has been set.



- 7** Release and return the setting lever (①) to its original position.



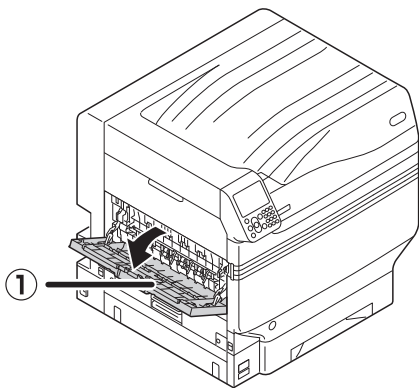
Preparing output destination of transparent films

Transparent films will be output to the face-up stacker.

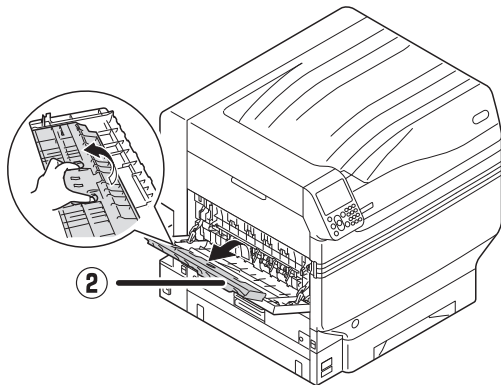
Note

- Multiple excellent transparent films cannot be stacked in the face-up stacker. Remove each printed transparent film after it is output, and then start the next print.

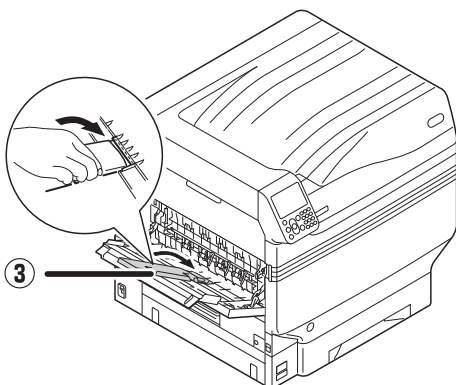
- 1 Open the face-up stacker (①) located on the left side of the device.



- 2 Open the paper supporter (②) as shown in the diagram.



- 3 Rotate the auxiliary supporter (③) in the direction of the arrow into the lock position.



Mirror reverse printing

If printing on transparent film, print in the order color (CMYK) and then white, and print using mirror reverse for correct appearance when turned over.

■ Using Windows PS printer drivers

- 1 Open the file to be printed.
- 2 Click [Page Setup] in the [File] menu.
- 3 Select the paper size and print orientation, and click [OK].
- 4 Select [Print] in the [File] menu.
- 5 Click [Advanced] (or [Properties]).
- 6 Select [Stacker (Face-up)] from [Output Bin] in the [Job Options] tab.
- 7 Select [Multi-Purpose Tray] in [Paper Source] in the [Paper/Quality] tab.

9 Click [Spot Color] in the [Color] tab.

10 Select [Data portion (Including white)] in [Usage Methods].

11 Select [Printing white on the color] in [Order of superposition].

12 For reverse printing, enable [Mirror Print], and click [OK].

13 Click [OK] to return to the [Print] screen.

14 Click [Print] in the [Print] screen to print.

■ Using Windows PCL printer drivers

1 Open the file to be printed.

2 Click [Page Setup] in the [File] menu.

3 Select the paper size and print orientation, and click [OK].

4 Select [Print] in the [File] menu.

5 Click [Advanced] (or [Properties]).

6 Select [Stacker (Face-up)] from [Output Bin] in the [Job Options] tab.

7 Select [Multipurpose Tray] in [Source] in the [Setup] tab.

9 Click the [Spot Color] tab.

10 Select [Data portion (Including white)] in [Usage methods].

11 Select [Printing white on the color] in [Order of superposition].

12 For reverse printing, enable [Mirror Print], and click [OK].

13 Click [Print] in the [Print] screen to print.

■ Using Windows XPS printer drivers

- 1** Open the file to be printed.
- 2** Click [Page Setup] in the [File] menu.
- 3** Select the paper size and print orientation, and click [OK].
- 4** Select [Print] in the [File] menu.
- 5** Click [Advanced] (or [Properties]).
- 6** Select [Stacker (Face-up)] from [Output Bin] in the [Job Options] tab.
- 7** Select [Multipurpose Tray] in [Source] in the [Setup] tab.

9 Click [Spot Color] in the [Color] tab.

10 Select [Data portion (Including white)] in [Usage Methods].

11 Select [Printing white on the color] in [Order of superposition].

12 For reverse printing, enable [Mirror Print], and click [OK].

13 Click [OK] to return to the [Print] screen.

14 Click [Print] in the [Print] screen to print.

■ Using Mac OS X Printer Drivers

1 Open the file to be printed.

2 Click [Page Setup] in the [File] menu.

3 Select the paper size and print orientation using the page setup dialog box, and click [OK].

4 Select [Print] in the [File] menu.

5 Select [Multipurpose Tray] in the [Source] panel.

6 Select [Stacker (Face-up)] from [Output Bin] in the [Paper] tab of the [Print Options] panel.

7 Click the [Feed] tab in the [Print Options] panel, and select [Media Type].

8 Select [Data portion (Including white)] in [Usage Methods] in the [Spot Color] panel.

9 Select [Printing white on the color] in [Order of superposition] in the [Spot Color] panel.

10 For reverse printing, enable [Flip horizontally].

11 Click [Print] to print.

● Printing by using applications to specify Spot Color toner (PS printer drivers only)

Using Illustrator

This explanation uses Illustrator CS6 as an example.

■ Adding Swatches

If using Spot Color (white), specify the swatches added for the objects to be Spot Color printed.

- 1 Open the swatch panel, and select new swatch.
- 2 Enter the name in [Swatch Name] as shown below.
For white toner: SpotColor_White

- 3 Select [Spot Color] in [Color Type].

■ Printing

If printing Spot Color, make the settings using the application print dialog box.

- 1 Click [Advanced] from the menu on the left of the print dialog box.
- 2 Select [Simulate] in [Overprints].
- 3 Click [Print].

❑ Using Windows

- (1) Select Windows PS printer drivers, and click [Advanced] (or [Properties]).
- (2) Click [Spot Color] in the [Color] tab.
- (3) Select [Application specification] in [Usage Methods], and click [OK].

- (4) Implement printing.

❑ Using Macintosh

- (1) Select the [Spot Color] panel.
- (2) Select [Application specification] in [Usage Methods], and click [Print].

- (3) Implement printing.

Using Photoshop

This explanation uses Photoshop CS6 as an example.

■ Adding Spot Color Channels

If using Spot Color (white), specify the Spot Color channels added for the objects to be Spot Color printed.

1 Open the channel panel, and select a new Spot Color channel.

2 Enter the name in [Name] as shown below.

For white: SpotColor_White

■ Saving in PDF Format

Spot Color printing directly from Photoshop is not possible, so initially save the file in PDF format.

■ Printing

- 1 Open the file that has been saved in PDF format using Acrobat or Adobe Reader.
- 2 Select [File]-[Print] to open the print dialog box.
- 3 Click [Advanced].
- 4 Select [Color] from the menu on the left of the print dialog box, and select [Simulate overprint]. (If using Adobe Reader, click [Advanced], and then select [Simulate overprint].)
- 5 Click [OK] to return to the print dialog box.

□ Using Windows

- 1 Select Windows PS printer drivers, and click [Advanced] (or [Properties]).
- 2 Click [Spot Color] in the [Color] tab.
- 3 Select [Application specification] in [Usage Methods].

- 4 Implement printing.

□ Using Macintosh

- 1 Select the [Spot Color] panel.
- 2 Select [Application specification] in [Usage Methods].

- 3 Implement printing.

● Fine-tuning the white gradation

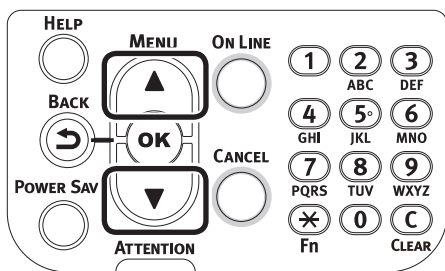
Finely adjust the shade for each white highlight, dark, mid-tone gradation using the printer control panel.



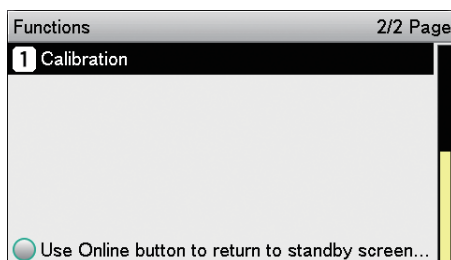
- Displayed when using white toner.

This section explains the procedure for slightly darkening the white highlights.

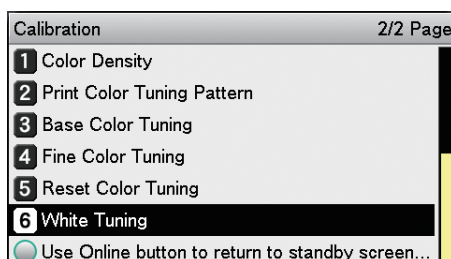
1 Press the scroll button ▲ or ▼.



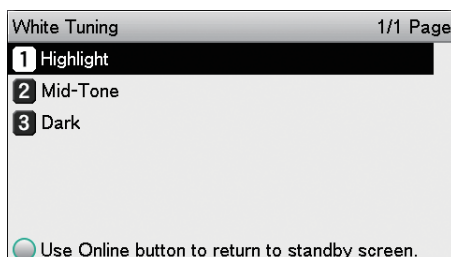
2 Select [Calibration], and press the [OK] button.



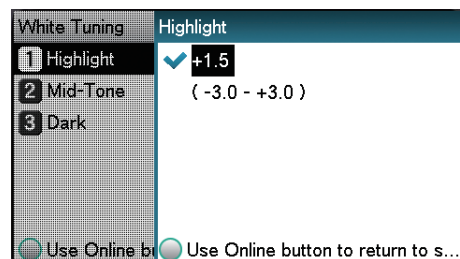
3 Select [White Tuning], and press the [OK] button.



4 Select [Highlight], and press the [OK] button.

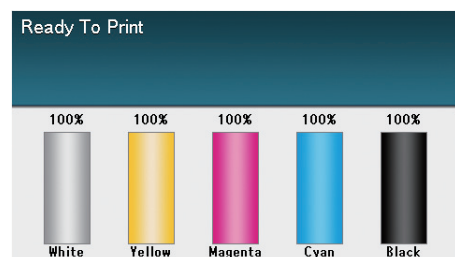
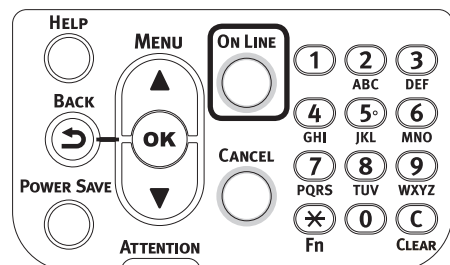


5 For the white highlight value, specify a larger value than the current set value, and press the [OK] button. Check ✓ that is displayed to the left of the specified value.



- Increase the value to darken, and lower the value to lighten.




6 Press the [ON LINE] button to return to the standby screen.









● Replacing Spot Color kits





 Note

WARNING

	<ul style="list-style-type: none"> Do not throw toner, toner cartridge or spot color duct in fire. Toner may fly off causing burn injury.
	<ul style="list-style-type: none"> Do not store toner cartridge or spot color duct in a place with fire. It may catch fire causing fire damage or burn injury.
	<ul style="list-style-type: none"> Do not clean up spilled toner using an electric vacuum cleaner. When spilled toner is cleaned up using an electric vacuum cleaner, there is a risk of fire due to sparks from the electrical contacts. Wipe off and remove the toner spilled on the floor using a wet cloth.

CAUTION

	<ul style="list-style-type: none"> There are high temperature parts in side the device. Do not touch near the places with "Caution: High Temperature" label. It may cause burn injury.
	<ul style="list-style-type: none"> Keep the toner cartridge or spot color duct away from children's reach. If children drink toner cartridge by mistake, immediately consult the physician.
	<ul style="list-style-type: none"> When toner is inhaled, gargle with a lot of water and move the person to a place with fresh air. Consult a physician as necessary.
	<ul style="list-style-type: none"> When there is toner on skin of hands etc., wash it off with liquid soap.
	<ul style="list-style-type: none"> If toner gets into eyes, immediately wash it off with a large quantity of water. Consult a physician as necessary.
	<ul style="list-style-type: none"> When toner is swallowed, dilute the toner by drinking a large quantity of water. Consult a physician as necessary.

	<ul style="list-style-type: none"> When solving paper jam or replacing toner cartridge or spot color duct, be careful that your hands and clothes are not stained with toner. When there is toner on skin of hands etc., wash it off with liquid soap. When clothes are stained with toner, wash them in cold water. Heating it such as washing in hot water will dye the toner on clothes, and it stains may not remove easily.
	<ul style="list-style-type: none"> Do not disassemble or forcibly open the toner cartridge or spot color duct. It may scatter the toner, which people may inhale or may stain clothes and hand.
	<ul style="list-style-type: none"> Store the used toner cartridge or spot color duct in a bag so that toner does not scatter.
	<ul style="list-style-type: none"> If toner is spilled on the floor, wipe it up carefully using a damp cloth to prevent the toner from scattering.