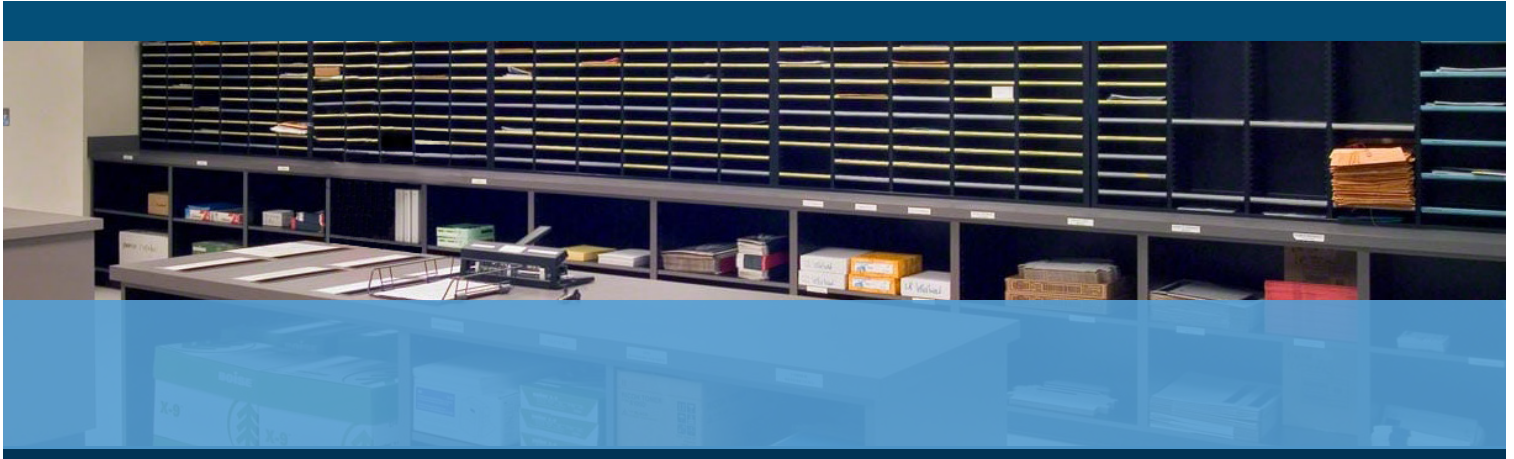


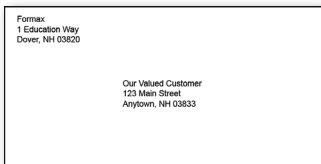


AP3

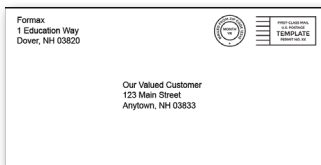
MONOCHROME DIGITAL ADDRESS PRINTER



Address only on pre-printed envelopes



Address and Return Address



Address, Return Address, Indicia

Independent print heads can produce any of these layouts in a single pass



- Prints up to 26,000 #10 envelopes per hour
- Two independent 3-pen stitched print heads
- Imaging area up to 3" H x 17" L
- Up to 600 x 600 DPI
- Duty cycle up to 1,000,000 per month

FORMAX®

www.formax.com

Local Dealer:

The **AP3 Digital Address Printer** processes **up to 26,000 envelopes per hour** with variable **print resolutions up to 600 DPI**. Its **4.5" color touchscreen** allows users full control of functions, including the ability to store and recall common print jobs, **up to 16GB**. The **integrated feeder** holds up to 500 envelopes at a time, and can handle materials **up to 3/8" thick**. **Two independent 3-pen + 3-pen print heads** can produce an **image area up to 3" x 17"**, with available overlap, and can be adjusted to a vertical print range of 11". Features include **on-screen ink monitoring**, **USB 3.0/LAN connectivity**, **TrueType compatibility**, **spot color capability**, and **batch/job/lifetime counters**.



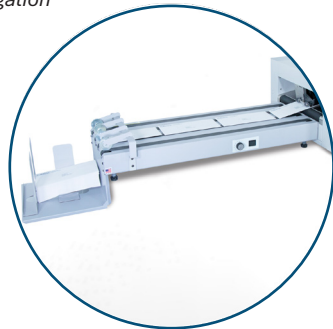
User-Friendly Touchscreen
Color touchscreen with adjustable backlight and easy navigation



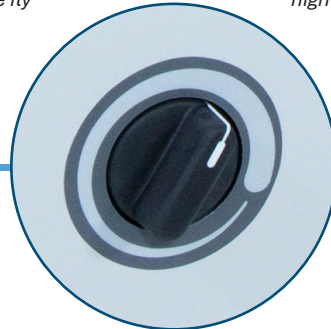
Integrated Envelope Feeder
Holds up to 500 envelopes and can be refilled on the fly



Two 3-Pen Stitched Print Heads
Two independent print heads with 6 high-capacity inkjet cartridges



Optional Conveyor/Stacker
3-foot conveyor/stacker with tabletop legs and catch tray



Adjustable Print Head Height
Adjustable to accept media up to 3/8" thick with the dial on the side

STANDARD FEATURES

- 4.5" color touchscreen
- Prints up to 26,000 #10 envelopes/hour
- Independent, 3-pen + 3-pen print heads
- Job memory up to 16GB
- Integrated feeder, up to 500 envelopes
- Variable print resolution, up to 600 DPI
- Batch, job, and lifetime counter
- On-screen ink monitor
- Uses 6 high-capacity inkjet cartridges
- One-pass printing
- Image area up to 3" H x 17" L
- TrueType enabled
- Spot color: blue, red, green, invisible
- Prints on coated and uncoated stocks

OPTIONS

- AP-05 3-foot Bi-Directional Conveyor/Stacker
- Bulk Mailer Software
- Thermal Inkjet Cartridges

SPECIFICATIONS

Print Technology	Thermal inkjet, 6 high-capacity cartridges*
Addressing Speed	Up to 26,000 #10 envelopes/hour Up to 34,000 postcards/hour
Print Quality	Up to 600 x 600 DPI
Imaging Area	Up to 3" H x 17" L (76 x 432mm)
Material Size	Min: 5" L x 3" W (127 x 76mm) Max: 15" L x 13.5" W (381 x 343mm)
Material Thickness	Up to 9.5mm / 3/8"
Duty Cycle	Up to 1,000,000 per month
Memory	Up to 16GB
Print Head Layout	3-pen stitched + 3-pen stitched design
Fonts	All True Type fonts available on PC
Feeder Capacity	Up to 500 #10 envelopes
Print Orientation	Right to left
Software	Driver for Windows 7 and higher
PC Interface	USB 3.0, Ethernet
Dimensions	29" L x 23" D x 21" H (74 x 58 x 53cm)
Weight	80lbs (36kg)
Power	115VAC 50/60 Hz

* Printer ships with 4 AP22 high-capacity ink cartridges. Additional cartridges may be purchased separately.