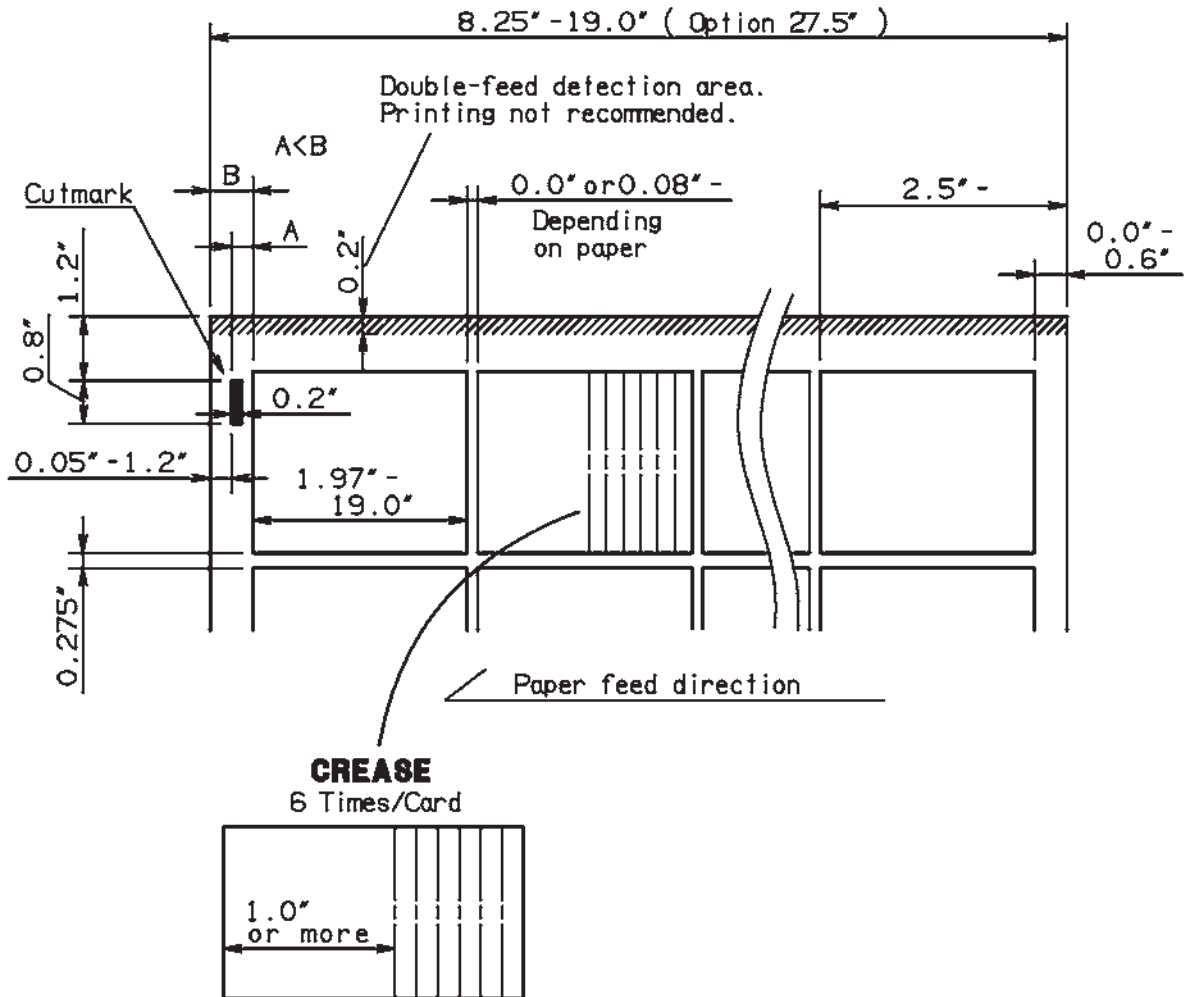


FORMAX[®]

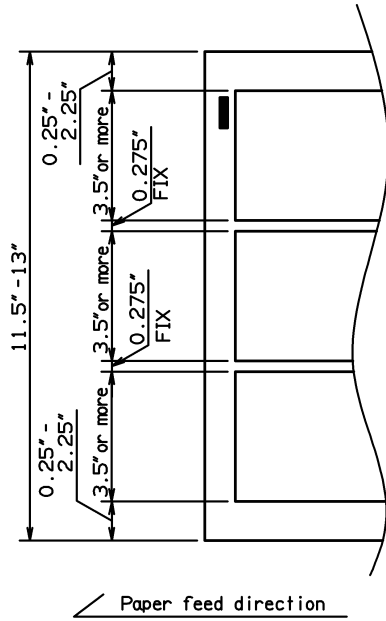
Atlas-TRIO15
Multi-Function Slitter/Creaser/Cutter

GENERAL TEMPLATE

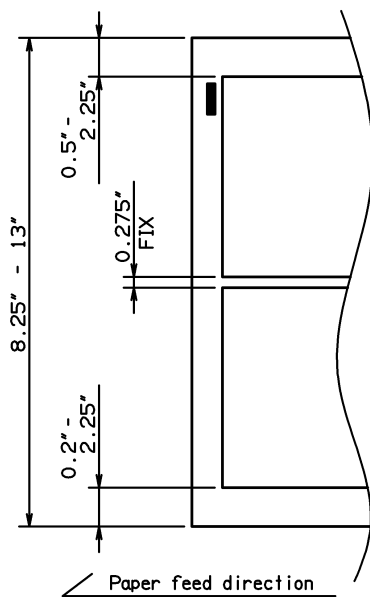


BTO TEMPLATE

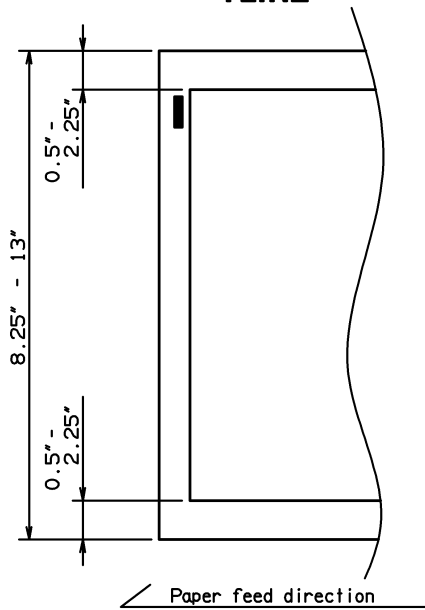
3LINE



2LINE



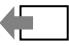

1LINE



Maximum input paper size (Depth direction × feed direction)	13" × 19"
Minimum input paper size (Depth direction × feed direction)	8.25" × 8.25"
Minimum output size (Depth direction × feed direction)	3.5" × 2"
Paper weight	32 lbs (Bond) – 130 lbs (Cover stock) (120-350g/m ²)

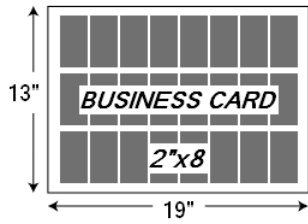
PRESET TEMPLATE

CONTENTS

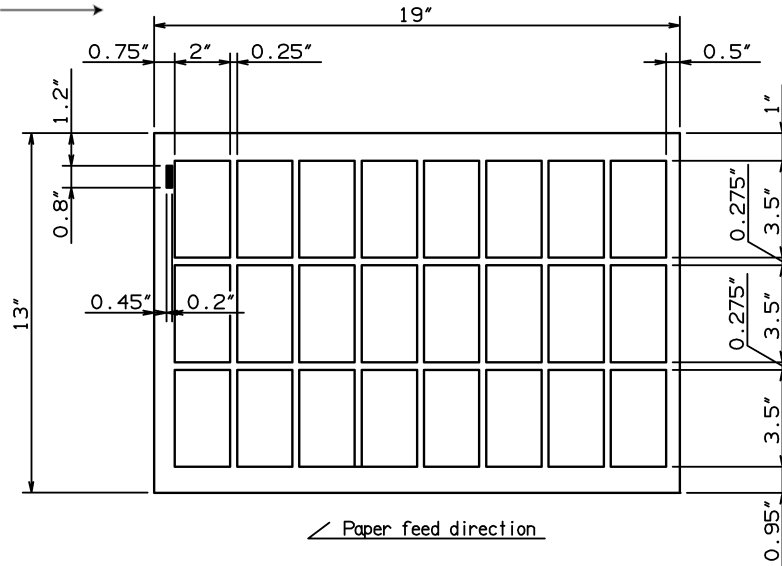
NO.	INPUT	OUTPUT	PAGE
1	SUPER B (13" × 19")	Business Card , 3.5"x2.0" , 24up	04
2		Business Card , 3.5"x4.0" (1 Crease) , 12up	04
3		LETTER , 11.0"x8.5" , 2up	05
4		LEDGER , 11.0"x17.0" , 1up	05
5		5.0"x17.0" (1 Crease) , 2up	06
6		LEDGER , 11.0"x17.0" (1 Crease) , 1up	06
7	ARCH B (12" × 18")	Business Card , 3.5"x2.0" , 24up	07
8		Business Card , 3.5"x4.0" (1 Crease) , 12up	07
9		Post Card , 4.0"x6.0" , 4up	08
10		LETTER , 11.0"x8.5" , 2up	08
11		LEDGER , 11.0"x17.0" , 1up	09
12		5.0"x17.0" (1 Crease) , 2up	09
13	LEDGER , 11.0"x17.0" (1 Crease) , 1up	10	
14	LEDGER (11" × 17")	Post Card , 4.0"x6.0" , 4up	10
15		1 Crease(1/2)	11
16	LEGAL (8.5" × 14")	LETTER , 8.5"x11.0" , 1up	11
17		1 Crease(1/2)	12
18	LETTER SEF  (8.5" × 11")	1 Crease(1/2)	12
19	LETTER LEF  (11" × 8.5")	Post Card , 4.0"x6.0" , 2up	13
20		1 Crease(1/2)	13

LAYOUT

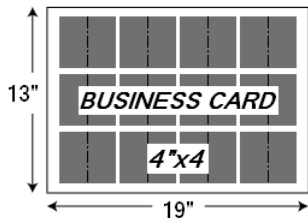
1 SUPER B → Business Card , 3.5"x2.0" , 24up



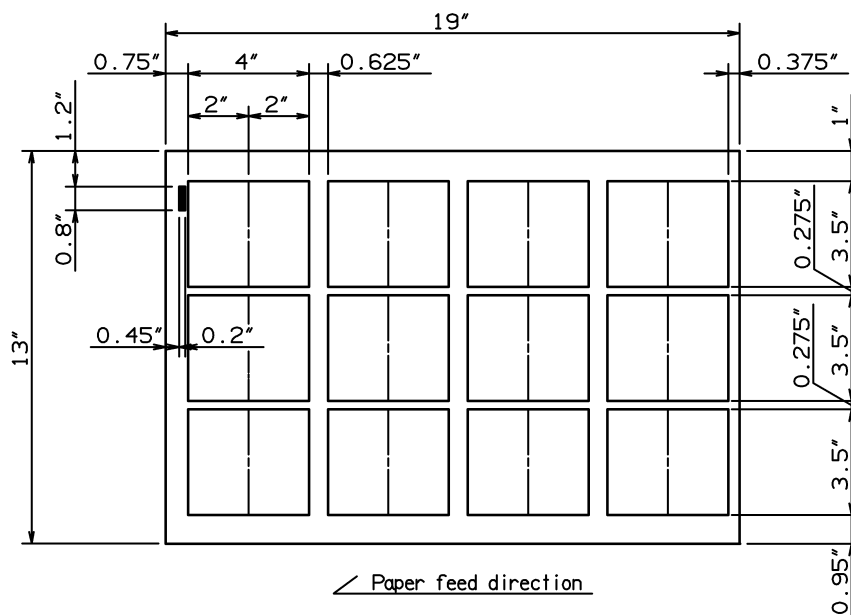
GAUGE	
Input	13" / 12"
Output	3.5"



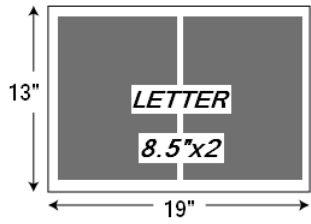
2 SUPER B → Business Card , 3.5"x4.0" (1 Crease) , 12up



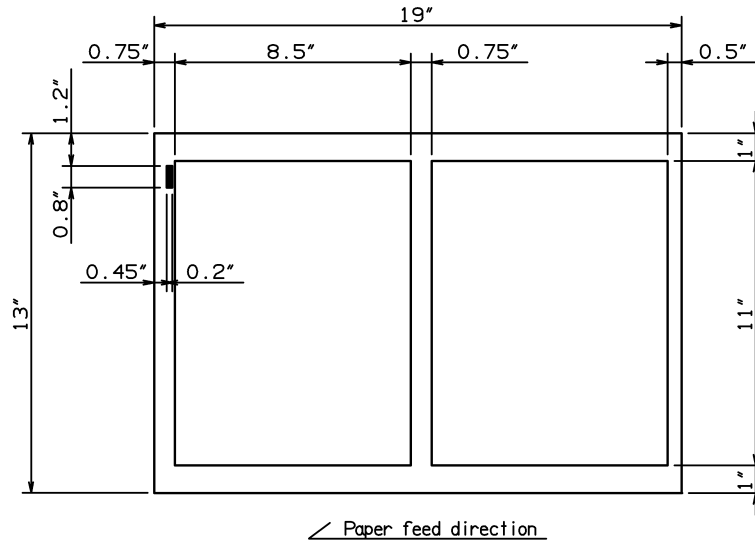
GAUGE	
Input	13" / 12"
Output	3.5"



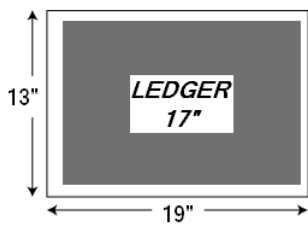
3 SUPER B → LETTER , 11.0"x8.5" , 2up



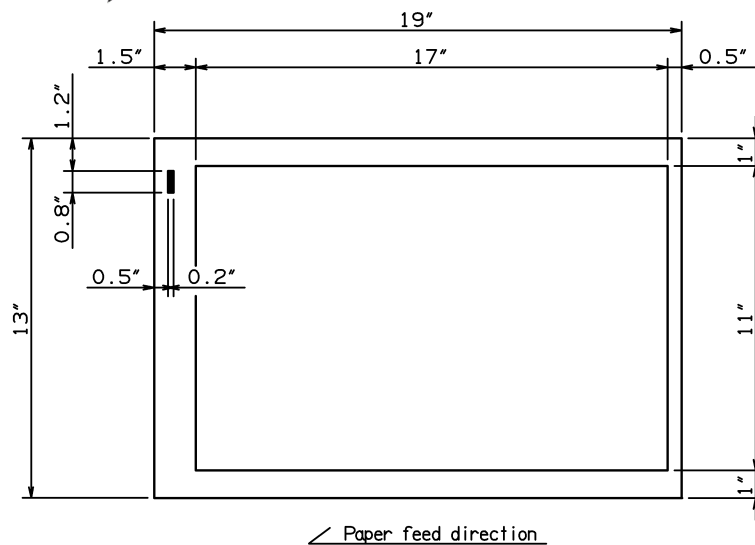
GAUGE	
Input	13" / 12"
Output	11"



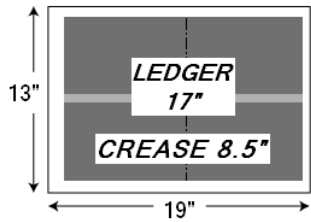
4 SUPER B → LEDGER , 11.0"x17.0" , 1up



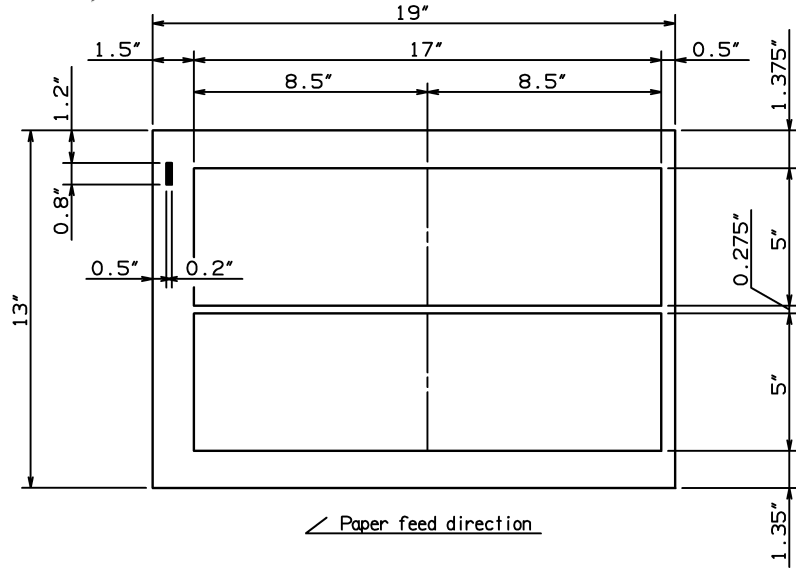
GAUGE	
Input	13" / 12"
Output	11"



5 SUPER B → 5.0"x17.0" (1 Crease) , 2up

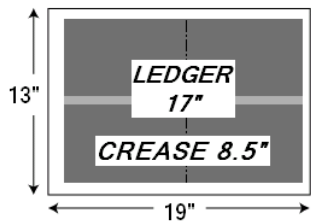


GAUGE	
Input	13" / 12"
Output	5"

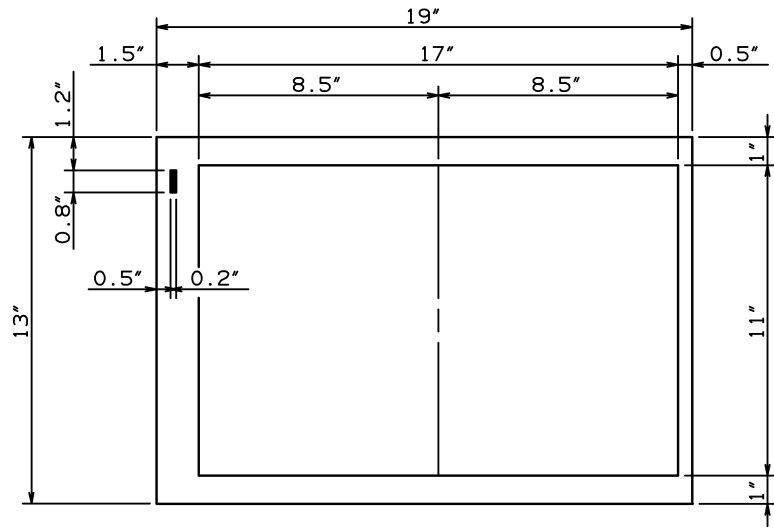


↙ Paper feed direction

6 SUPER B → LEDGER , 11.0"x17.0" (1 Crease) , 1up

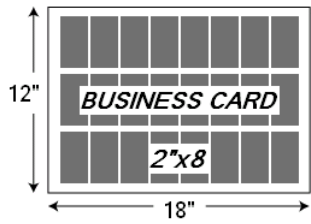


GAUGE	
Input	13" / 12"
Output	11"

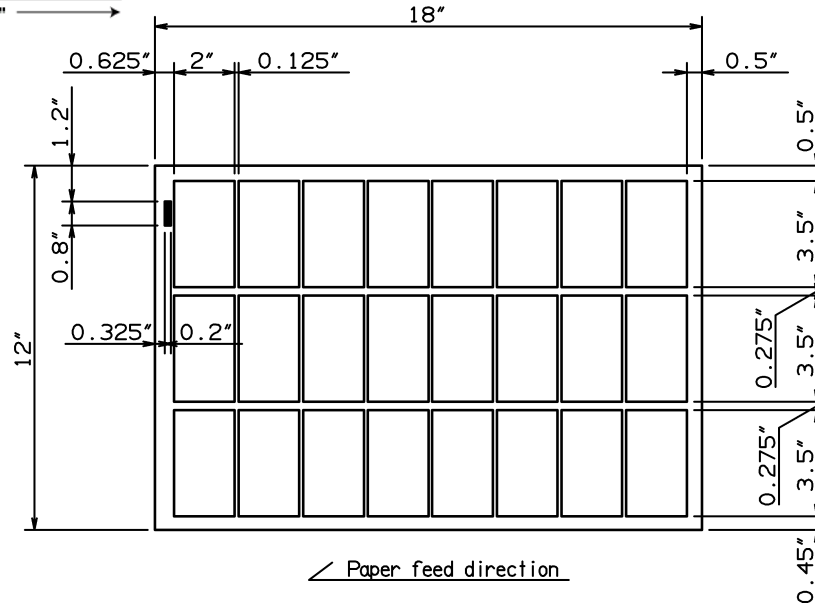


↙ Paper feed direction

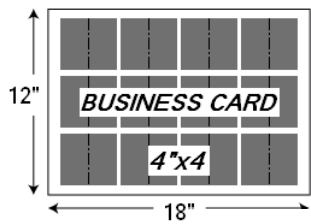
7 ARCH B → Business Card , 3.5"x2.0" , 24up



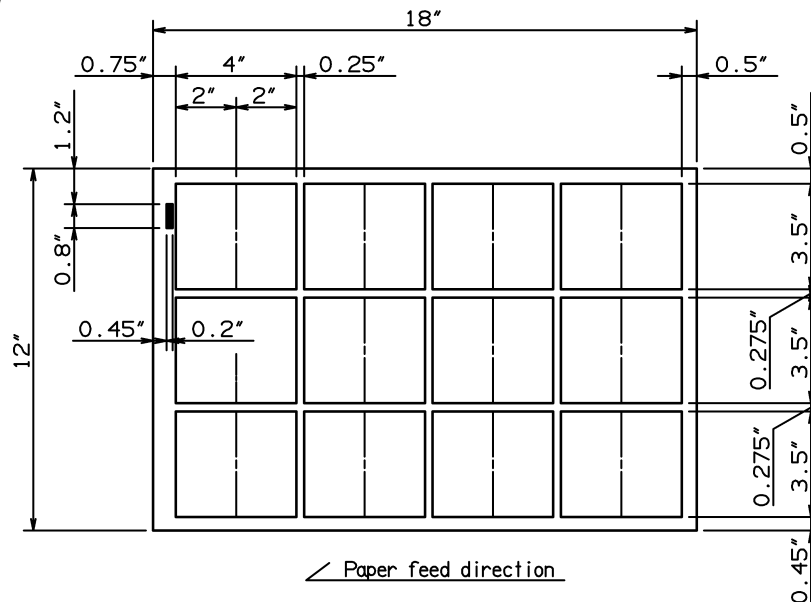
GAUGE	
Input	13" / 12"
Output	3.5"



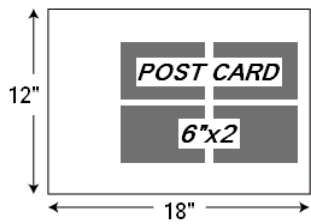
8 ARCH B → Business Card , 3.5"x4.0" (1 Crease) , 12up



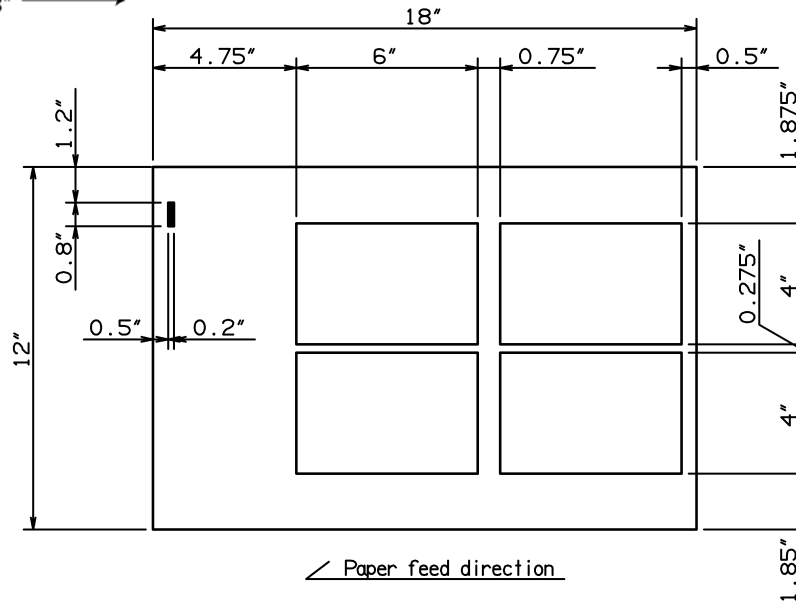
GAUGE	
Input	13" / 12"
Output	3.5"



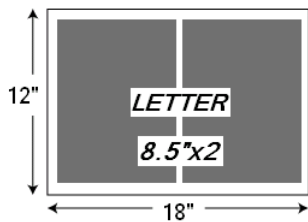
9 ARCH B → Post Card , 4.0"x6.0" , 4up



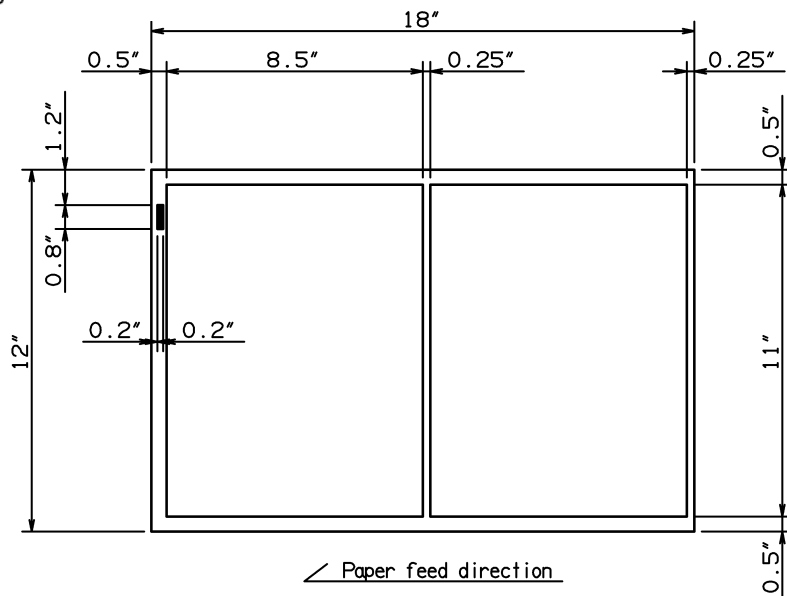
GAUGE	
Input	11" / 12"
Output	4"



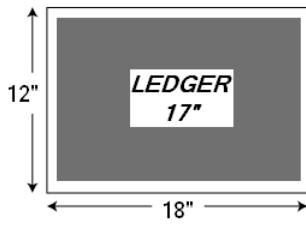
10 ARCH B → LETTER , 11.0"x8.5" , 2up



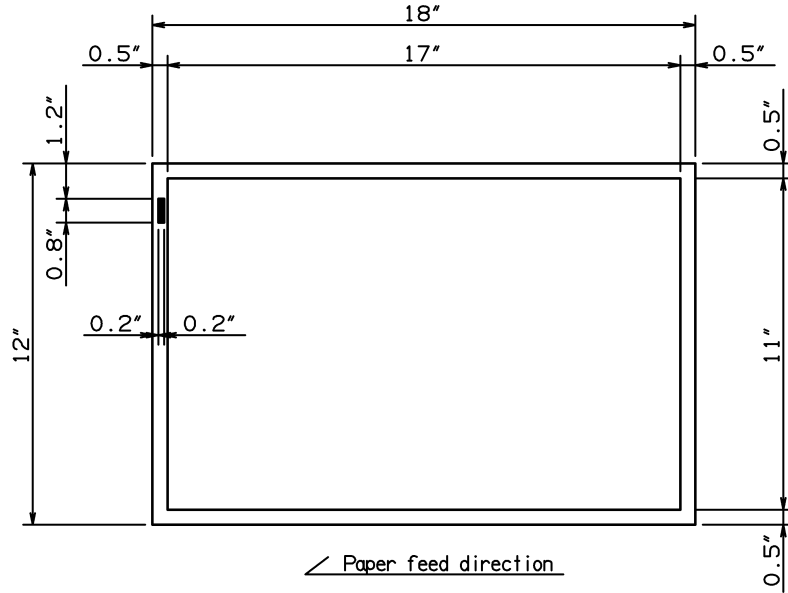
GAUGE	
Input	13" / 12"
Output	11"



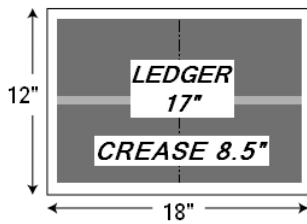
11 ARCH B → LEDGER , 11.0"x17.0" , 1up



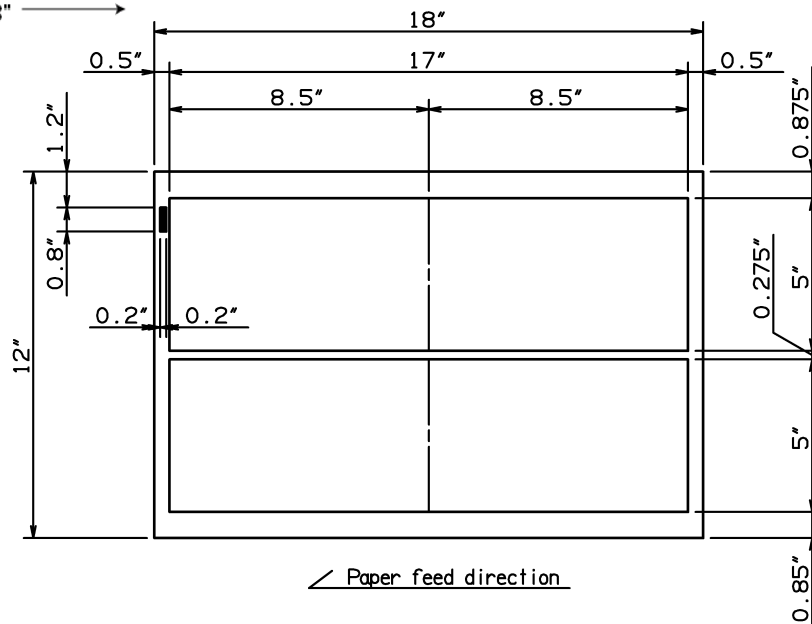
GAUGE	
Input	13" / 12"
Output	11"



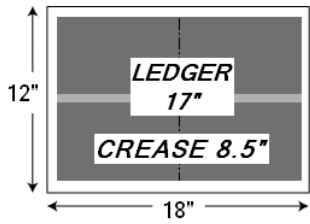
12 ARCH B → 5.0"x17.0" (1 Crease) , 2up



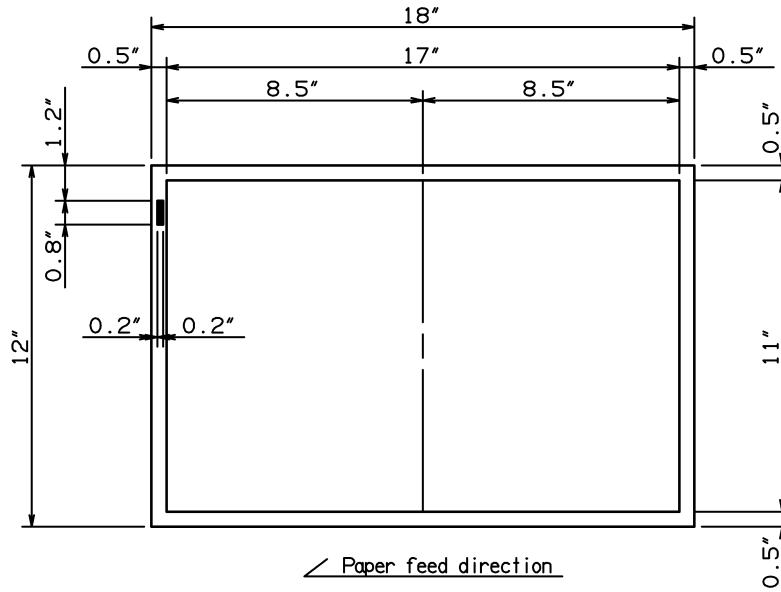
GAUGE	
Input	13" / 12"
Output	5"



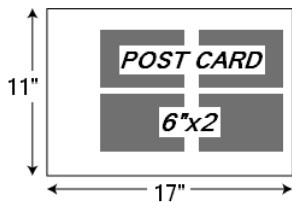
13 ARCH B → LEDGER , 11.0"x17.0" (1 Crease) , 1up



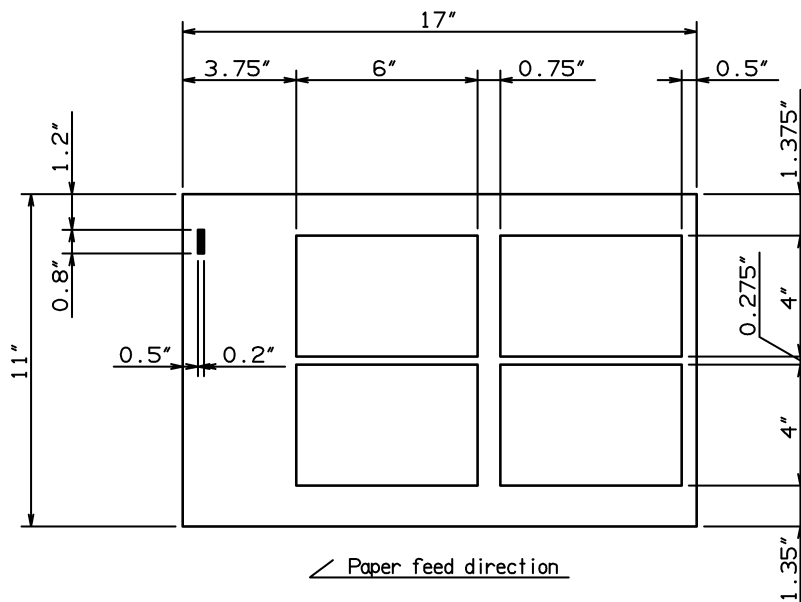
GAUGE	
Input	13" / 12"
Output	11"



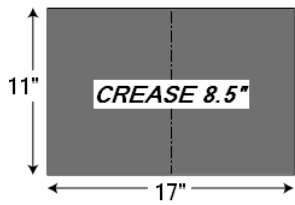
14 LEDGER → Post Card , 4.0"x6.0" , 4up



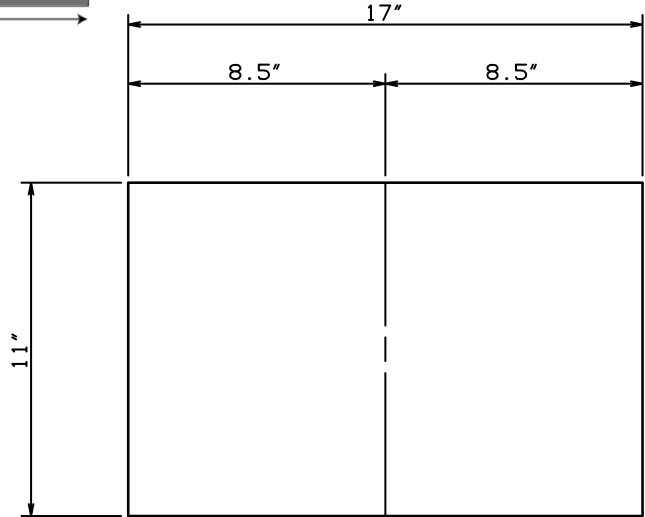
GAUGE	
Input	11" / 12"
Output	4"



15 LEDGER → 1 Crease(1/2)

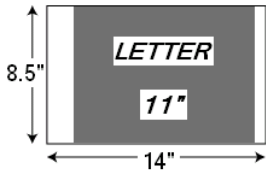


GAUGE
Without

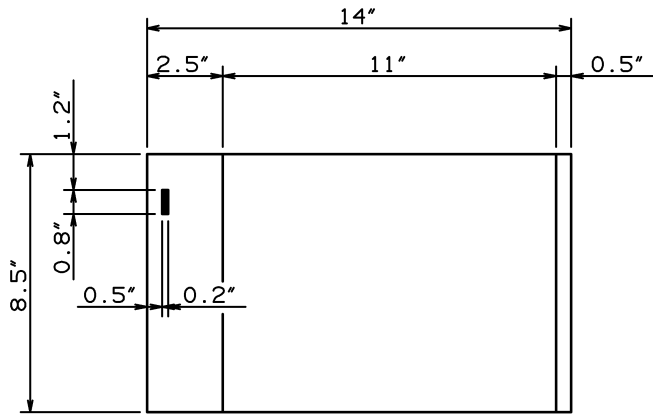


∕ Paper feed direction

16 LEGAL → LETTER , 8.5" x 11.0" , 1up

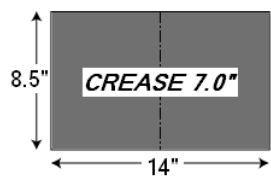


GAUGE
Without

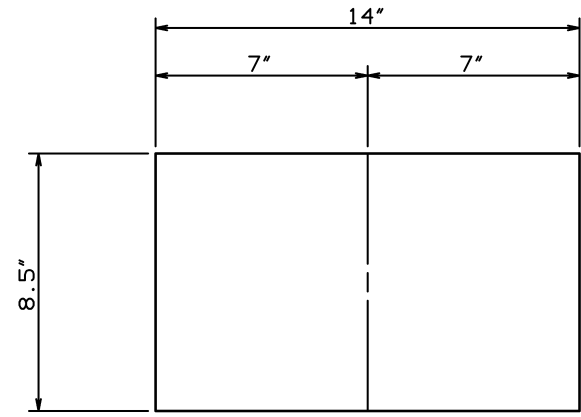


∕ Paper feed direction

17 LEGAL → 1 Crease(1/2)

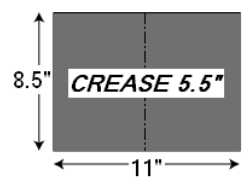


GAUGE
Without

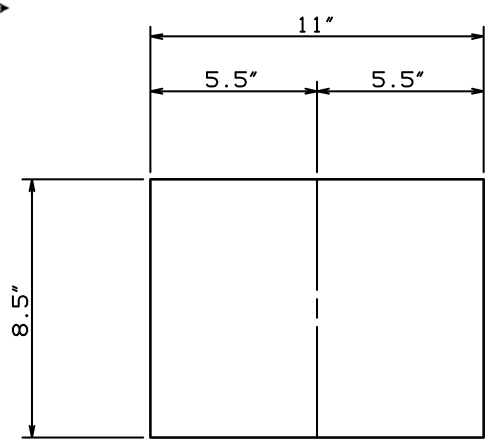


↙ Paper feed direction

18 LETTER SEF → 1 Crease(1/2)

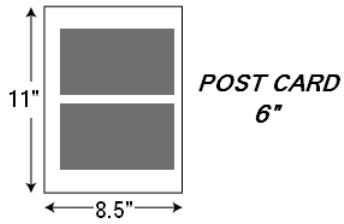


GAUGE
Without

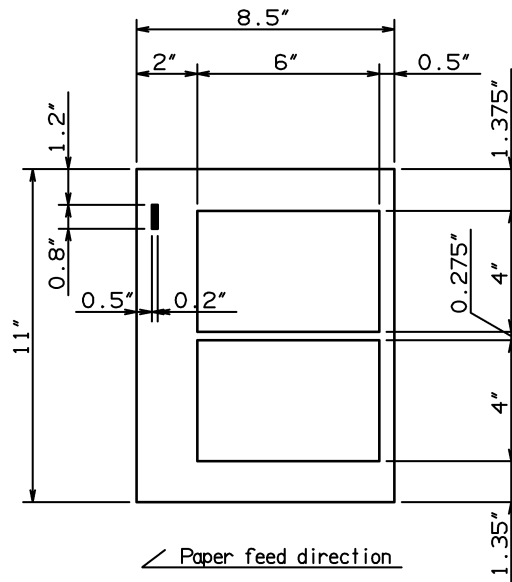


↙ Paper feed direction

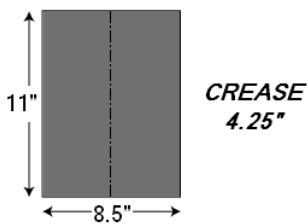
19 LETTER LEF → Post Card , 4.0" x 6.0" , 2up



GAUGE	
Input	11" / 12"
Output	4"



20 LETTER LEF → 1 Crease(1/2)



GAUGE	
Without	

